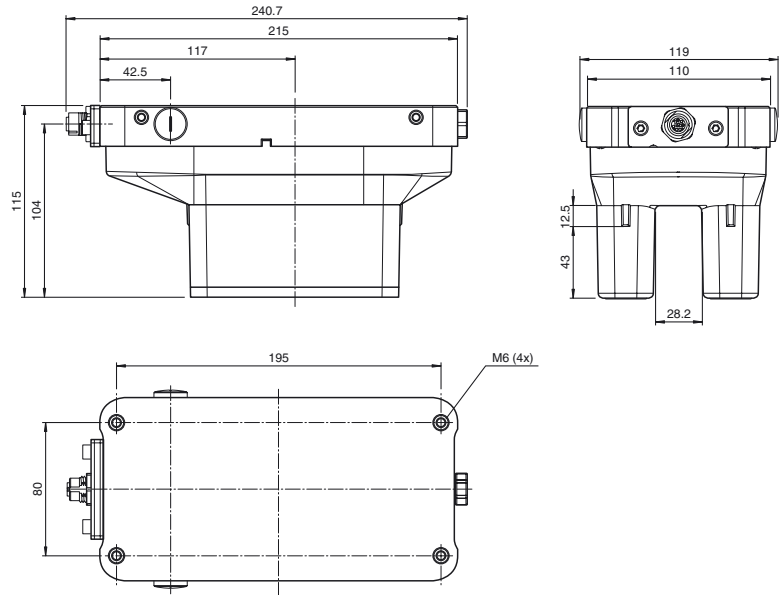




Dimensions



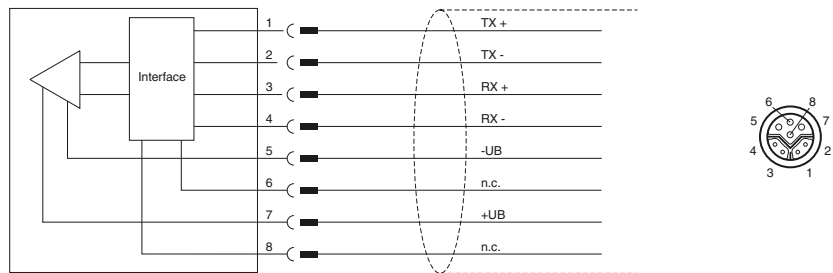
Model number

WCS3B-LS510D-OM

Reader with protective enclosure,
EtherNet/IP interface

Features

- EtherNet/IP
- Non-contact, absolute position encoder
- Automatic detection of dirt accumulation
- Output of position and speed
- For outdoor use



Technical data

General specifications

| | | |
|------------------------------|---|--|
| Passage speed | v | ≤ 12.5 m/s |
| Measuring range | | max. 314.5 m |
| Free tolerances to code rail | | horizontal: 28 mm (± 14 mm) vertical: 25.5 mm (+11.5 mm/-14 mm) |
| Resolution | | ± 0.4 mm (1,250 positions/m) |

Functional safety related parameters

| | | |
|--------------------------------|--|------|
| MTTF _d | | 50 a |
| Mission Time (T _M) | | 10 a |
| Diagnostic Coverage (DC) | | 0 % |

Indicators/operating means

| | |
|---------------|---|
| Display | Display module, 6-digit , adaptable to installation position |
| LED green | ETHERNET link To: ETHERNET connection OK |
| LED yellow | ETHERNET Bus Activity Flashing: data transfer |
| LED red | ETHERNET communication To: communication error |
| LED red/green | Status indication Green: code rail detected, normal function Red: system error Flashing red: no code rail detected |

Electrical specifications

| | | |
|-------------------|----------------|----------------|
| Operating voltage | U _B | 10 ... 30 V DC |
| Power consumption | P ₀ | 6 W |

Interface

| | |
|------------------|-------------|
| Interface type | 100 BASE-TX |
| Data output code | binary code |
| Protocol | EtherNet/IP |

| | |
|---------------|------------|
| Transfer rate | 100 MBit/s |
|---------------|------------|

Release date: 2018-03-23 14:17 Date of issue: 2018-05-28 312682_eng.xml

Standard conformity

| | |
|----------------------|---------------------------|
| Emitted interference | EN 61000-6-4:2007+A1:2011 |
| Noise immunity | EN 61000-6-2:2005 |
| Shock resistance | EN 60068-2-27:2009 |
| Vibration resistance | EN 60068-2-6:2008 |

Ambient conditions

| | |
|-----------------------|--------------------------------|
| Operating temperature | 0 ... 60 °C (32 ... 140 °F) |
| Storage temperature | -40 ... 85 °C (-40 ... 185 °F) |

Mechanical specifications

| | |
|----------------------|---|
| Connection type | 8-pin, M12 x 1 connector, Y-coded |
| Degree of protection | IP67 / IP69 |
| Material | |
| Housing | PET , PC (Polycarbonate) |
| Mass | 1000 g |
| Note | The reader must not be operated without the protective housing! |

Accessories**V19SY-G-BK5M-PUR-ABG**

Male single-ended cordset, M12, 8-pin, Y encryption, PUR cable, shielded

V19SY-G-BK2M-PUR-ABG

Male single-ended cordset, M12, 8-pin, Y encryption, PUR cable, shielded

V19SY-G-BK10M-PUR-ABG

Male single-ended cordset, M12, 8-pin, Y encryption, PUR cable, shielded

V45-G

Field-attachable male connector

WCS3B-OPC

Outdoor protective cover for WCS3B reader

V45-GP

Field-attachable "Push-Pull" connector

V15S-W-ABG-PG9

Cable connector, M12, 5-pin, shielded, non pre-wired

V15S-G-ABG-PG9

Cable connector, M12, 5-pin, shielded, non pre-wired

WCS3B-OBP

Stopping plugs For WCS3B-OP* housing

V1SD-G-5M-PUR-ABG-V45-G

Connection cable, M12 to RJ-45, PUR cable 4-pin, CAT5e

V19SY-Y-V1D/V1S

Y-Splitter, M12 plug Y-coded to M12 plug A-coded/socket D-coded