



**Model number**

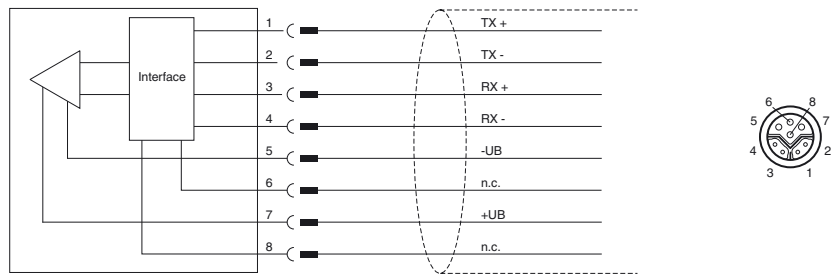
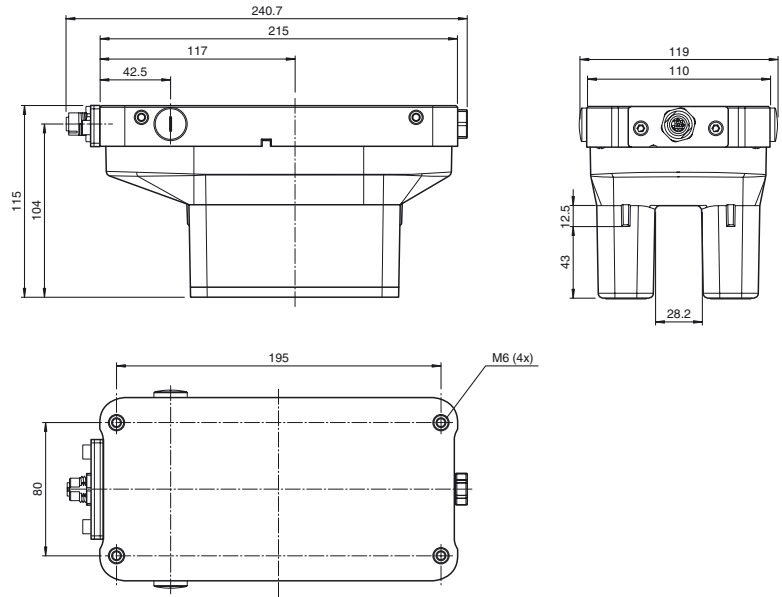
**WCS3B-LS510-OM**

Reader with protective enclosure,  
EtherNet/IP interface

**Features**

- EtherNet/IP
- Non-contact, absolute position encoder
- Automatic detection of dirt accumulation
- Output of position and speed
- For outdoor use

**Dimensions**



**Technical data**

**General specifications**

Passage speed	v	≤ 12.5 m/s
Measuring range		max. 314.5 m
Free tolerances to code rail		horizontal: 28 mm ( ± 14 mm ) vertical: 25.5 mm ( +11.5 mm/- 14 mm )
Resolution		± 0.4 mm (1,250 positions/m)

**Functional safety related parameters**

MTTF <sub>d</sub>		50 a
Mission Time (T <sub>M</sub> )		10 a
Diagnostic Coverage (DC)		0 %

**Indicators/operating means**

LED green	ETHERNET link To: ETHERNET connection OK
LED yellow	ETHERNET Bus Activity Flashing: data transfer
LED red	ETHERNET communication To: communication error
LED red/green	Status indication Green: code rail detected, normal function Red: system error Flashing red: no code rail detected

**Electrical specifications**

Operating voltage	U <sub>B</sub>	10 ... 30 V DC
Power consumption	P <sub>0</sub>	6 W

**Interface**

Interface type		100 BASE-TX
Data output code		binary code
Protocol		EtherNet/IP

Transfer rate		100 MBit/s
---------------	--	------------

**Standard conformity**

Release date: 2018-03-23 14:17 Date of issue: 2018-05-28 312683\_eng.xml

Refer to "General Notes Relating to Pepperl+Fuchs Product Information".

Pepperl+Fuchs Group  
www.pepperl-fuchs.com

USA: +1 330 486 0001  
fa-info@us.pepperl-fuchs.com

Germany: +49 621 776 4411  
fa-info@de.pepperl-fuchs.com

Singapore: +65 6779 9091  
fa-info@sg.pepperl-fuchs.com

Emitted interference	EN 61000-6-4:2007+A1:2011
Noise immunity	EN 61000-6-2:2005
Shock resistance	EN 60068-2-27:2009
Vibration resistance	EN 60068-2-6:2008
<b>Ambient conditions</b>	
Operating temperature	0 ... 60 °C (32 ... 140 °F)
Storage temperature	-40 ... 85 °C (-40 ... 185 °F)
<b>Mechanical specifications</b>	
Connection type	8-pin, M12 x 1 connector, Y-coded
Degree of protection	IP67 / IP69
<b>Material</b>	
Housing	PET , PC (Polycarbonate)
Mass	1000 g
Note	The reader must not be operated without the protective housing!

## Accessories

### V19SY-G-BK5M-PUR-ABG

Male single-ended cordset, M12, 8-pin, Y encryption, PUR cable, shielded

### V19SY-G-BK2M-PUR-ABG

Male single-ended cordset, M12, 8-pin, Y encryption, PUR cable, shielded

### V19SY-G-BK10M-PUR-ABG

Male single-ended cordset, M12, 8-pin, Y encryption, PUR cable, shielded

### V45-G

Field-attachable male connector

### WCS3B-OPC

Outdoor protective cover for WCS3B reader

### V45-GP

Field-attachable "Push-Pull" connector

### V15S-W-ABG-PG9

Cable connector, M12, 5-pin, shielded, non pre-wired

### V15S-G-ABG-PG9

Cable connector, M12, 5-pin, shielded, non pre-wired

### WCS3B-OBP

Stopping plugs For WCS3B-OP\* housing

### V1SD-G-5M-PUR-ABG-V45-G

Connection cable, M12 to RJ-45, PUR cable 4-pin, CAT5e

### V19SY-Y-V1D/V1S

Y-Splitter, M12 plug Y-coded to M12 plug A-coded/socket D-coded