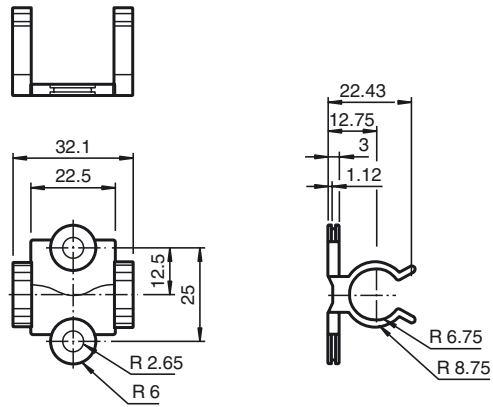




**Dimensions**



**Model Number**

**MH V1-Holder**

Modular universal holder for M12 connectors

**Features**

- Modular universal holder

**Technical data**

**Ambient conditions**

Installation temperature -25 ... 85 °C (-13 ... 185 °F)

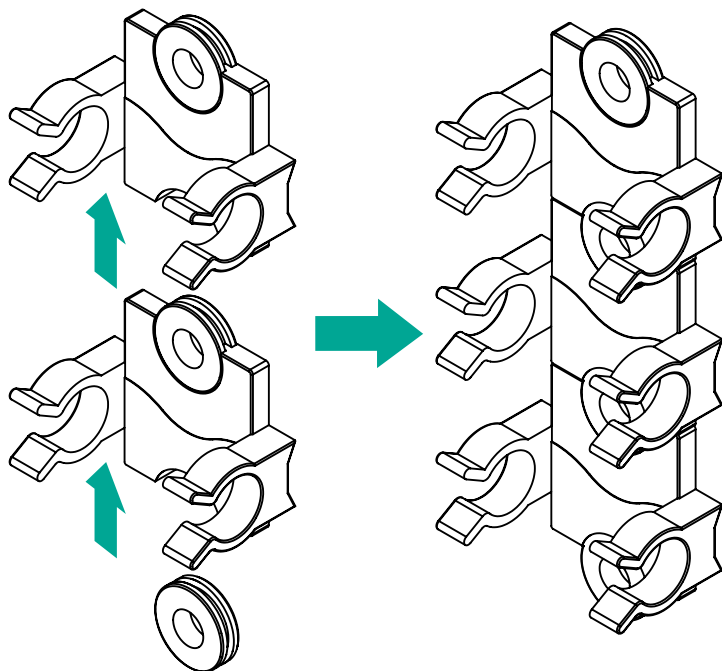
**Mechanical specifications**

Connection 14 mm

Installation Distance between mounting holes: 25 mm

Note Packaging unit, 10-piece

**Installation Note**



Release date: 2018-10-12 14:47 Date of issue: 2018-10-18 318646\_eng.xml