



Model number

VAA-1E-IEI3-READER1-S-V31

reading head and control unit non-contact AS-Interface safety switches

Features

- No contact bounce
- Precise sensing range thanks to RFID technology
- Tamper-proof thanks to clear assignment of the active tag to the reader
- Individual RFID coding that can be learned multiple times
- Degree of protection IP65 / IP67
- SIL3 / PL_e

Matching system components

VAZ-IEI3-TAG1-S

Actuator for non-contact AS-Interface safety switches

V31-GM-1M-PUR-V1-G

Connection cable, M8 to M12, PUR cable, 4-pin

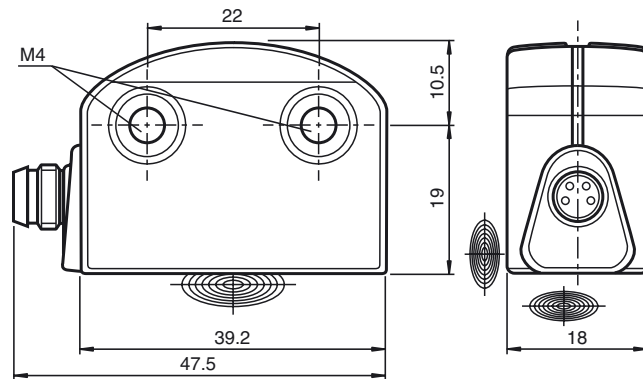
V31-GM-2M-PUR-V1-G

Connection cable, M8 to M12, PUR cable, 4-pin

V31-GM-3M-PUR-V1-G

Connection cable, M8 to M12, PUR cable, 4-pin

Dimensions



Technical data

General specifications

Detection type		inductive
start-up distance		12 mm embeddable 9 mm non-flush
assured start-up distance	s_{a0}	10 mm embeddable 6 mm non-flush
assured release distance	s_{ar}	≤ 18 mm embeddable ≤ 15 mm non-flush
Slave type		Safety-Slave
AS-Interface specification		V2.1
Required master specification		≥ V2.0
Hysteresis	H	< 2 mm

Functional safety related parameters

Safety Integrity Level (SIL)		SIL 3
Performance level (PL)		PL _e
PFH _d		3.93 E-10 h
PFD		6.89 E-5

Electrical specifications

Rated operating voltage	U_e	18 ... 31.6 V
Power supply		via AS-Interface network
Current consumption		≤ 100 mA

Output

Number/Type		Dual color-LED, rot/grün : device state LED yellow : read state
Supply		from AS-Interface

Ambient conditions

Ambient temperature		-25 ... 60 °C (-13 ... 140 °F)
Storage temperature		-25 ... 85 °C (-13 ... 185 °F)
Shock and impact resistance		30 g, 11 ms, all axes
Vibration resistance		1 mm 10 ... 55 Hz

Mechanical specifications

Degree of protection		IP65/IP67
Connection		M8 connector , 4-pin , A-coded
Material		
Housing		Thermoplastic Hotmelt
Installation		any position
Mass		29 g

Release date: 2018-08-01 07:57 Date of issue: 2018-09-18 319856_eng.xml