



CE

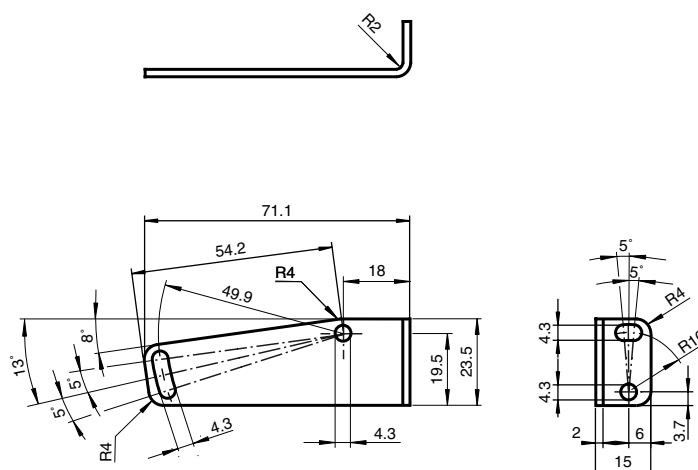
Model Number

OMH-40

Mounting bracket

Features

- Mounting bracket
- Simple and fast mounting

Dimensions**Technical data****Mechanical specifications**

Material	nickel-plated steel
Mass	approx. 30 g
Dimensions	136 mm x 52 mm x 3 mm
Mounting	Mounting accessories included

Suitable series

Series	MLV40
Safety Series	SLA40