

Model Number

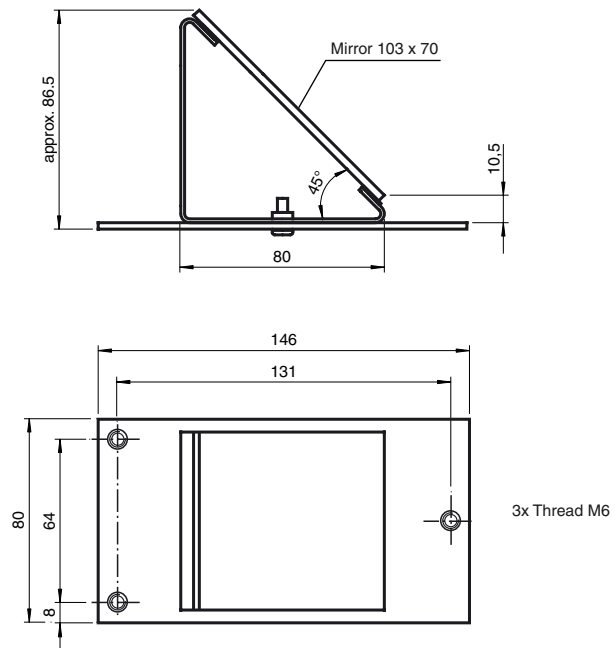
SLA-1-M

Deviation mirror

Features

- Deflecting mirror for single-beam deflection of the protection beam of safety light beams in the SL and SLA series

Dimensions



Technical data

Functional safety related parameters

Safety Integrity Level (SIL)	SIL 3
Performance level (PL)	PL e
Category	Cat. 4
Mission Time (T _M)	20 a
PFH _d	4.4 E-10

Ambient conditions

Storage temperature	-40 ... 85 °C (-40 ... 185 °F)
---------------------	--------------------------------

Mechanical specifications

Material	
Housing	Metal sheet (steel), black-coated

Release date: 2017-09-27 16:36 Date of issue: 2017-09-27 406214_eng.xml