



Model Number

DK20/35B

Print mark contrast sensor
with 5-pin, M12 x 1 connector

Features

- Diffuse mode sensor for recording any print mark
- Static TEACH-IN: automatic switching threshold adaptation
- Optical system exchangeable by 90°
- 30 µs response time, suitable for extremely rapid scanning processes
- Red transmission light

Product information

The contrast sensor series DK10, DK2X, DKE2X and DK3X have an extreme robust and IP67 tight industrial standard housing with eight M5 metal reinforced inserts for sensor mounting. The lenses are made of high grade glass. All sensors offer different light spot shapes and orientations and have powerful push-pull outputs (NPN/PNP/push-pull).

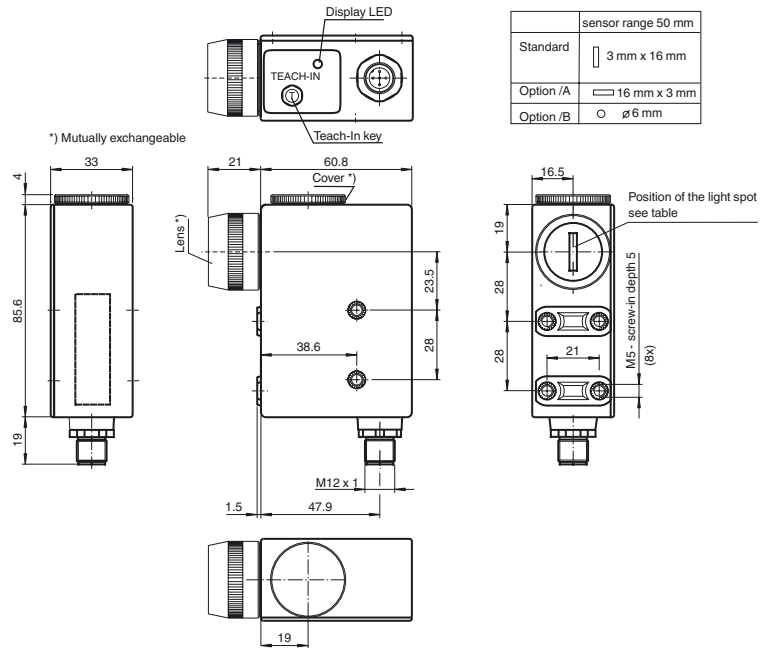
The DK10 sensor series offers laser and LED light sources, a manual sensitivity adjustment and high sensing ranges up to 800 mm.

The DK20/DK21/DKE2X standard contrast sensor series offers a very good contrast recognition and are available in extreme robust stainless-steel housings (DKE).

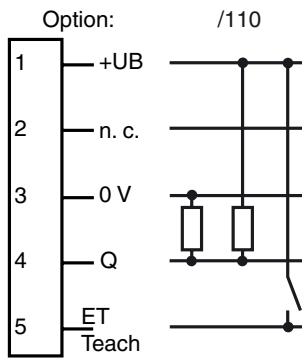
The DK31/DK34/DK35 sensor series is designed for cutting edge contrast recognition at highest sensitivity level.

The series DK20/DK34 offer a static Teach-In, the DK21/DKE21/DK31/DK35 series offer a dynamic Teach-In.

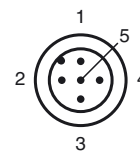
Dimensions



Electrical connection



Pinout



Release date: 2013-09-24 09:56 Date of issue: 2013-10-07 418087_eng.xml

Refer to "General Notes Relating to Pepperl+Fuchs Product Information".

Technical data**General specifications**

Sensor range	50 mm
Light source	LED
Light type	modulated visible red light
Light spot representation	3 mm x 16 mm , light spot parallel to housing
Angle deviation	max. $\pm 3^\circ$
Ambient light limit	
Continuous light	7000 Lux
Teach-In	static Teach-In

Functional safety related parameters

MTTF _d	650 a
Mission Time (T _M)	20 a
Diagnostic Coverage (DC)	0 %

Indicators/operating means

Function indicator	LED yellow; switching operation: lights up if print mark is detected Teach-In operation: flashing slowly alarm display: flashing quickly, if no safe operation is possible
Control elements	Teach-In key

Electrical specifications

Operating voltage	U _B	10 ... 30 V DC
Ripple		10 %
No-load supply current	I ₀	≤ 70 mA

Input

Function input	Teach-In input
----------------	----------------

Output

Switching type	light/dark on switchable, results from the order of the Teach-In	
Signal output	Push-pull output, short-circuit protected, reverse polarity protected	
Switching voltage	PNP: $\geq (+U_B - 2.5 V)$, NPN: $\leq 1.5 V$	
Switching current	max. 200 mA	
Switching frequency	f	16.5 kHz
Response time		30 μ s

Ambient conditions

Ambient temperature	-20 ... 60 °C (-4 ... 140 °F)
Storage temperature	-20 ... 75 °C (-4 ... 167 °F)

Mechanical specifications

Protection degree	IP67
Connection	M12 x 1 connector, 5-pin
Material	
Housing	PC (glass-fiber-reinforced Makrolon)
Optical face	glass
Mass	200 g

Compliance with standards and directives

Standard conformity	
Product standard	EN 60947-5-2:2007 IEC 60947-5-2:2007
Shock and impact resistance	IEC / EN 60068. half-sine, 40 g in each X, Y and Z directions
Vibration resistance	IEC / EN 60068-2-6. Sinus. 10 -150 Hz, 5 g in each X, Y and Z directions

Approvals and certificates

UL approval	cULus Listed , Class 2 power source
CCC approval	CCC approval / marking not required for products rated $\leq 36 V$

Additional information**Construction**

This device is supplied with a changeable Lens. By interchanging Lens and cover the sensor is able to be modified from a side-looker to a top-looker and vice versa.

Adjustment

1. Point the light spot to the print mark. With mirroring or shiny object surface the sensor has to be tilt by $10^\circ \dots 15^\circ$.
2. Press Teach-In key at the device or apply a positive pulse (UB+) for at least 50 ms to the external Teach-In input.
After finishing this first step, the indicator LED flashes slowly (approx. 1 Hz).
3. Point light spot to the underground/background.
4. Press Teach-In key or apply Teach-In signal once more.

Accessories**V15-G-5M-PVC**

Female cordset, M12, 5-pin, PVC cable

V15-W-5M-PVC

Female cordset, M12, 5-pin, PVC cable

OMH-DK

Right-Angled Mounting Bracket

OMH-DK-1

Flat Mounting Bracket

Other suitable accessories can be found at www.pepperl-fuchs.com

5. If Teach-In successful: sensor in switching mod, LED off.
Alarmer-Funktion: insufficient contrast. No reliable switching operation possible.
Indicator LED flashes fast (approx. 4 Hz)
6. Return to switching mode when pressing key

The switching signal level is set automatically to the middle between print mark and background.
For exact contrast evaluation the DK... , as an option, can be delivered with an additional analogue output.