



**Model Number**

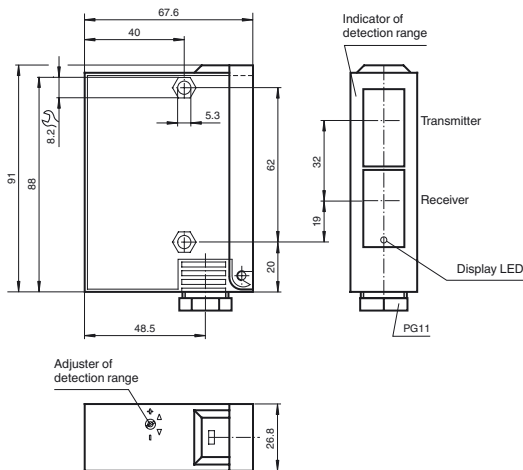
**RLK23-1482**

Background suppression sensor terminal compartment

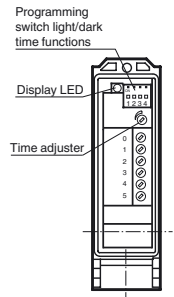
**Features**

- Adjustable background suppression
- Infrared light
- Timer function
- Sturdy plastic housing
- Optical surface made of scratch-resistant glass
- Hauni-No.: 165276300000EN5380

**Dimensions**

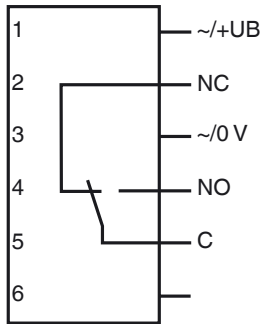


**Terminal compartment**



**Electrical connection**

Opzione:



- = Light on
- = Dark on

Release date: 2017-10-20 10:08 Date of issue: 2017-10-20 419483\_eng.xml

Refer to "General Notes Relating to Pepperl+Fuchs Product Information".

Pepperl+Fuchs Group  
www.pepperl-fuchs.com

USA: +1 330 486 0001  
fa-info@us.pepperl-fuchs.com

Germany: +49 621 776 4411  
fa-info@de.pepperl-fuchs.com

Singapore: +65 6779 9091  
fa-info@sg.pepperl-fuchs.com

**Technical data****General specifications**

Detection range	50 ... 2000 mm , preset to 800 mm +/-50 mm
Adjustment range	200 ... 2000 mm
Light source	IREd
Light type	modulated infrared light
Black/White difference (6 %/90 %)	< 20 %
Diameter of the light spot	50 mm at 2000 mm sensor range
Angle of divergence	1.5 °
Ambient light limit	5000 Lux

**Functional safety related parameters**

MTTF <sub>d</sub>	850 a
Mission Time (T <sub>M</sub> )	20 a
Diagnostic Coverage (DC)	0 %

**Indicators/operating means**

Function indicator	LED yellow, lights up with receiver lit
Control elements	Programming switch for light/dark switching
Control elements	Sensing range adjuster
Control elements	Time adjuster

**Electrical specifications**

Operating voltage	U <sub>B</sub>	12 ... 240 V AC/DC (automatic adaption to +UB)
Power consumption	P <sub>0</sub>	3 VA

**Output**

Switching type	light/dark on selectable programmable	
Signal output	1 relay output, 1 alternator	
Switching voltage	max. 240 V AC	
Switching current	max. 2 A	
Switching frequency	f	10 Hz
Response time	50 ms	
Timer function	ON delay (GAN), OFF delay (GAB), one shot (IAB), programmable, adjustment range 0.1 ... 10 s	

**Ambient conditions**

Ambient temperature	-20 ... 60 °C (-4 ... 140 °F)
Storage temperature	-20 ... 75 °C (-4 ... 167 °F)

**Mechanical specifications**

Housing width	26.8 mm
Housing height	91 mm
Housing depth	67.6 mm
Degree of protection	IP65
Connection	terminal compartment
Material	
Housing	Terluran® GV15
Optical face	glass
Mass	180 g

**Compliance with standards and directives**

Standard conformity	
Product standard	EN 60947-5-2:2007 IEC 60947-5-2:2007

**Approvals and certificates**

UL approval	cULus
CCC approval	Certified by China Compulsory Certification (CCC)

**Accessories****OMH-05**

Mounting aid for round steel ø 12 mm or sheet 1.5 mm ... 3 mm

**OMH-07**

Mounting aid for round steel ø 12 mm or sheet 1.5 mm ... 3 mm

**OMH-21**

Mounting bracket

**OMH-22**

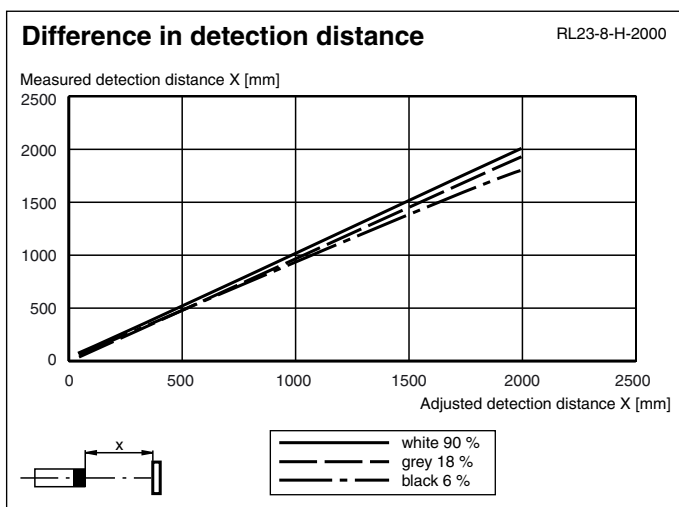
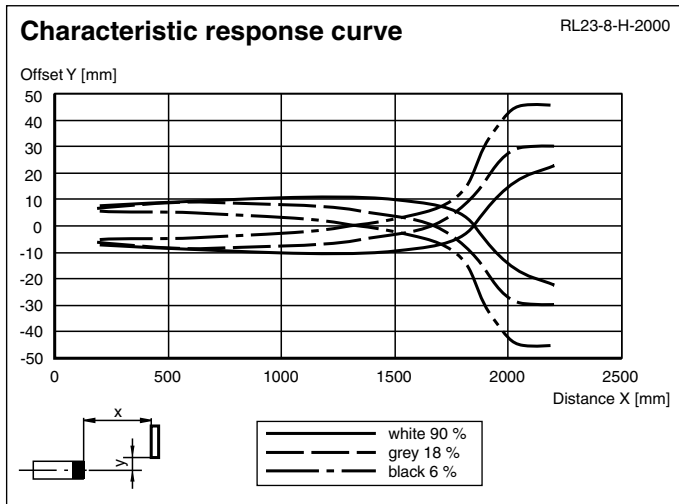
Mounting bracket

**OMH-RLK29-HW**

Mounting bracket for rear wall mounting

Other suitable accessories can be found at [www.pepperl-fuchs.com](http://www.pepperl-fuchs.com)

**Curves/Diagrams**



**Timer functions**

Timer function	Switching type	Receiver exposed	Receiver dark
ON  Without	Light	ON	OFF
	Dark	OFF	ON
ON  ON delay	Light	ON	OFF
	Dark	ON	OFF
ON  OFF delay	Light	ON	OFF
	Dark	ON	OFF
ON  one shot	Light	ON	OFF
	Dark	ON	OFF

Time  $t_{ON}$ ,  $t_{OFF}$  and  $t_{OS}$  are adjustable from 0.1 to 10 seconds.  
 The Light-/Dark-Switch (Left, outer switch) is shown in the "Dark ON" position.

Type	Description	Notes
-Z	OFF delay timer	Adjustable time interval (0.1 s - 10 s)
	one shot timer	
	ON delay timer	

Release date: 2017-10-20 10:08 Date of issue: 2017-10-20 419483\_eng.xml