



**Model Number**

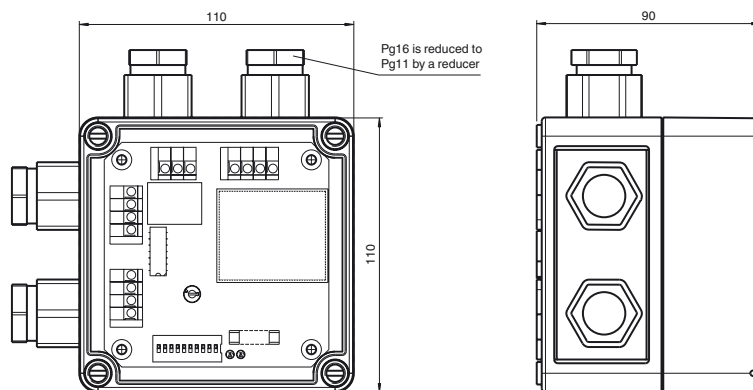
**PS1/31**

Power supply

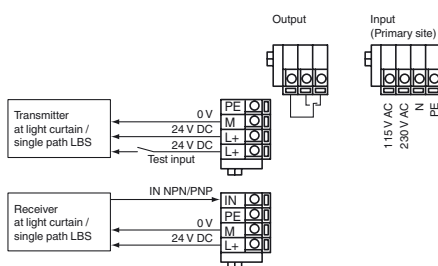
**Features**

- Switching device for the simple electrical connection of sensors
- Relay output for high power
- 10-way programming switch for time functions and switching connection modes

**Dimensions**



**Electrical connection**



Release date: 2015-12-01 13:06 Date of issue: 2016-07-07 419800\_eng.xml

Refer to "General Notes Relating to Pepperl+Fuchs Product Information".

Pepperl+Fuchs Group  
www.pepperl-fuchs.com

USA: +1 330 486 0001  
fa-info@us.pepperl-fuchs.com

Germany: +49 621 776 4411  
fa-info@de.pepperl-fuchs.com

Singapore: +65 6779 9091  
fa-info@sg.pepperl-fuchs.com

**Technical data**

**Indicators/operating means**

Function indicator	LED green: power on (according to safety) LED yellow: switching state, lights up for energized relay
Control elements	10-fold programming switch for timer functions and switching type

**Electrical specifications**

Operating voltage	U <sub>B</sub>	115 / 230 V AC
Power consumption	P <sub>0</sub>	5 VA (0.25 A miniature fuse)

**Output**

Switching type	light/dark on selectable programmable	
Signal output	Relay, 1 alternator	
Switching voltage	240 V AC	
Switching current	1 A	
Switching frequency	f	20 Hz
Response time	20 ms	
Timer function	ON delay (GAN), OFF delay (GAB), ON delay-OFF delay (GAN-GAB), 0.1 ... 15 s programmable	
Other outputs	Sensor power supply 24 VDC, max. 180 mA	

**Ambient conditions**

Ambient temperature	0 ... 60 °C (32 ... 140 °F)
Storage temperature	-20 ... 75 °C (-4 ... 167 °F)

**Mechanical specifications**

Degree of protection	IP55
Connection	4 PG16 screwed connections , cage tension terminals in the terminal space
Material	
Housing	Plastic with transparent cover
Installation	screw fixing Only the four holes under the cover screws can be used for mounting.
Mass	600 g

**Compliance with standards and directives**

Directive conformity	
EMC Directive 2004/108/EC	EN 60947-5-2:2007
Standard conformity	
Product standard	EN 60947-5-2

**Approvals and certificates**

Approvals	CE
-----------	----

**Additional information**

**Extensive program functions for:**

Input for PNP or NPN operation	Programmable by 10-pin DIP switch (S10)
Switching mode	High level at input, switch S9 = off - relay activated, S9 = on - relay deactivated
Startup time delay ON DELAY	Fixed time adjustable in stages (S1 ... S5) or continuous (S6), refer table switch settings
Drop out time delay OFF DELAY	Fixed time adjustable in stages (S1 ... S5) or continuous (S6), refer table switch settings
Double timing ON+ OFF DELAYS	Fixed time adjustable in stages (S1 ... S5) or continuous (S6), refer table switch settings <sup>1)</sup>

1) Attention: ON DELAY and OFF DELAY not possible with different timings

**Switch settings**

● = on ○ = off	Fixed time					Time adjustable	Time delay		Inputs	
	S1	S2	S3	S4	S5		S6	S7	S8	S9
0,1 s	●	○	○	○	○	○				
1 s	○	●	○	○	○	○				
2 s	○	○	●	○	○	○				
4 s	○	○	○	●	○	○				
10 s	○	○	○	○	●	○				
0 ... 15 s	○	○	○	○	○	●				
no delay							●	●		
ON DELAY							○	●		
OFF DELAY							●	○		

Release date: 2015-12-01 13:06 Date of issue: 2016-07-07 419800\_eng.xml



ON + OFF DELAYS							○	○		
inv.									●	
NPN										○
PNP										●

Release date: 2015-12-01 13:06 Date of issue: 2016-07-07 419800\_eng.xml

Refer to "General Notes Relating to Pepperl+Fuchs Product Information".

Pepperl+Fuchs Group  
www.pepperl-fuchs.com

USA: +1 330 486 0001  
fa-info@us.pepperl-fuchs.com

Germany: +49 621 776 4411  
fa-info@de.pepperl-fuchs.com

Singapore: +65 6779 9091  
fa-info@sg.pepperl-fuchs.com