

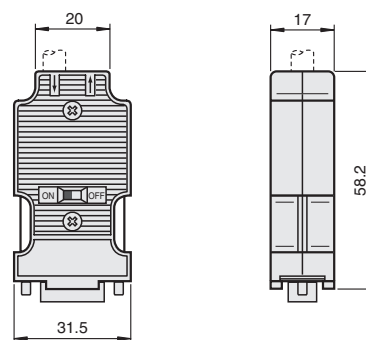


D-Sub plug 9-pin, axial cable feed

### Features

- For PROFIBUS DP, MODBUS, RS 485
- Axial cable feed
- With switchable bus termination resistor

### Dimensions



### Technical data

#### Electrical specifications

Rated voltage	$U_r$	60 V AC/DC
Rated current	$I_r$	1 A

#### Interface

Interface type	PROFIBUS DP
Transfer rate	max. 12 MBit/s
Connector pinout	3, 5, 6, 8

#### Ambient conditions

Ambient temperature	-20 ... 75 °C (-4 ... 167 °F)
Storage temperature	-25 ... 80 °C (-13 ... 176 °F)

#### Mechanical specifications

Core cross-section	max. 1.5 mm <sup>2</sup>
Cable diameter	7.6 ... 8.4 mm
Cable gland	screw terminals
Material	
Housing	metallized ABS
Mass	approx. 40 g
Dimensions	(W x H x D) 31.5 mm x 58.2 mm x 17 mm

#### International approvals

EAC approval	Russia: RU C-IT.MIII06.B.00129
Marine approval	
Lloyd Register	15/20021
American Bureau of Shipping	T1450280/UN