



Model Number

OBR1000-R3-E1

Retroreflective sensor with polarization filter
with 2 m fixed cable

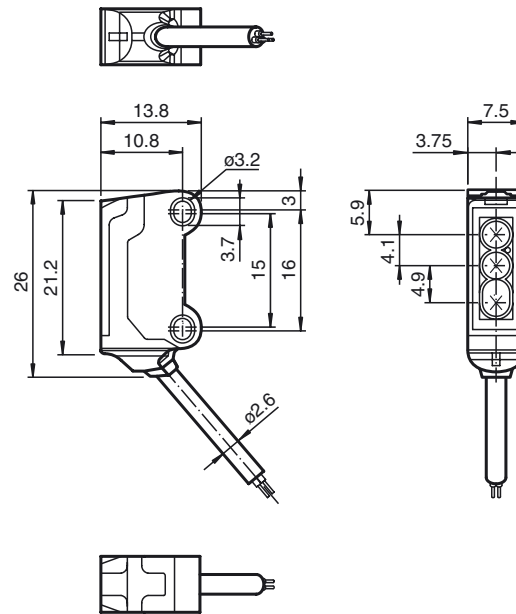
Features

- 45° cable outlet for maximum mounting freedom under extremely tight space constraints
- Improvement in machine availability with abrasion-resistant, antistatic glass front
- Integrated polarization filter allows the detection of reflective objects
- Extremely long detection range paves the way for new applications

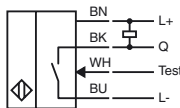
Product information

The nano sensor has been developed for a broad range of applications. It offers excellent durability and is exceptionally easy to install. The housing is compact and, with its 45° cable outlet, can be installed in the smallest spaces. New functional principles and functionality open up a range of new options. The abrasion-resistant lens allows long operating times close to the moving object.

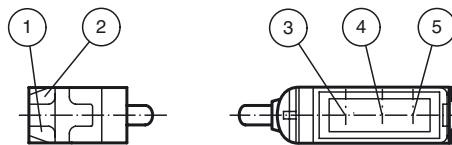
Dimensions



Electrical connection



Indicators/operating means



| | | |
|---|-------------------|--------|
| 1 | Operating display | green |
| 2 | Signal display | yellow |
| 3 | Emitter | |
| 4 | Receiver 1 | |
| 5 | Receiver 2 | |

Release date: 2019-01-16 09:50 Date of issue: 2019-01-16 70102281_eng.xml

Refer to "General Notes Relating to Pepperl+Fuchs Product Information".

Technical data**General specifications**

| | |
|----------------------------|---------------------------------------|
| Effective detection range | 0 ... 1 m |
| Reflector distance | 40 ... 1000 mm |
| Threshold detection range | 1.4 m |
| Reference target | H40 reflector |
| Light source | LED |
| Light type | modulated visible red light , 630 nm |
| Polarization filter | yes |
| Angle deviation | approx. 2 ° |
| Diameter of the light spot | approx. 60 mm at a distance of 800 mm |
| Angle of divergence | approx. 2 ° |
| Optical face | frontal |
| Ambient light limit | EN 60947-5-2 : 30000 Lux |

Functional safety related parameters

| | |
|--------------------------------|-------|
| MTTF _d | 800 a |
| Mission Time (T _M) | 20 a |
| Diagnostic Coverage (DC) | 0 % |

Indicators/operating means

| | |
|---------------------|---|
| Operation indicator | LED green, statically lit Power on , short-circuit : LED green flashing (approx. 4 Hz) |
| Function indicator | LED yellow: lights up when receiving the light beam ; flashes when falling short of the stability control; OFF when light beam is interrupted |

Electrical specifications

| | | |
|------------------------|----------------|--------------------------|
| Operating voltage | U _B | 10 ... 30 V DC , class 2 |
| No-load supply current | I ₀ | < 10 mA |

Input

| | |
|------------|-----------------------------------|
| Test input | Test of switching function at 0 V |
|------------|-----------------------------------|

Output

| | | |
|---------------------|---|----------------|
| Switching type | NC contact / light on | |
| Signal output | 1 NPN output, short-circuit protected, reverse polarity protected, open collector | |
| Switching voltage | max. 30 V DC | |
| Switching current | max. 50 mA , resistive load | |
| Voltage drop | U _d | ≤ 1.5 V DC |
| Switching frequency | f | approx. 800 Hz |
| Response time | | 600 μs |

Ambient conditions

| | |
|---------------------|--------------------------------|
| Ambient temperature | -25 ... 60 °C (-13 ... 140 °F) |
| Storage temperature | -30 ... 70 °C (-22 ... 158 °F) |

Mechanical specifications

| | |
|----------------------|-----------------|
| Housing width | 7.5 mm |
| Housing height | 26 mm |
| Housing depth | 13.8 mm |
| Degree of protection | IP67 |
| Connection | 2 m fixed cable |
| Material | |
| Housing | PC/ABS and TPU |
| Optical face | glass |
| Cable | PUR |
| Mass | approx. 20 g |
| Cable length | 2 m |

Compliance with standards and directives

| | |
|---------------------------|-------------------|
| Directive conformity | |
| EMC Directive 2004/108/EC | EN 60947-5-2:2007 |

Approvals and certificates

| | |
|--------------|--|
| UL approval | cULus Recognized, Class 2 Power Source |
| CCC approval | CCC approval / marking not required for products rated ≤36 V |

Accessories**MH-R3-01**

Mounting aid for sensors from the R3 series, mounting bracket

MH-R3-02

Mounting aid for sensors from the R3 series, mounting bracket

MH-R3-03

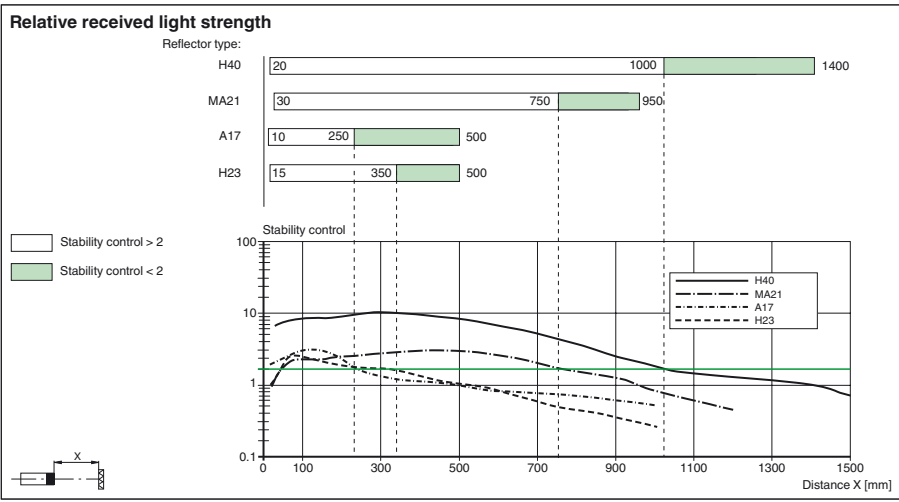
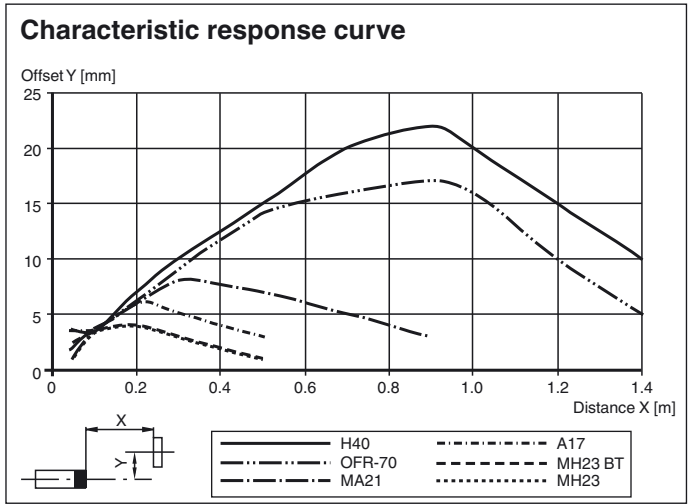
Mounting aid for sensors from the R3 series, mounting bracket

MH-R3-04

Mounting aid for sensors from the R3 series, mounting bracket

Other suitable accessories can be found at www.pepperl-fuchs.com

Curves/Diagrams



Release date: 2019-01-16 09:50 Date of issue: 2019-01-16 70102281_eng.xml