

Features

- 1-channel isolated barrier
- 24 V DC supply (Power Rail)
- Increased input load
- Output 45 mA at 11.2 V DC
- Logic input, non-polarized
- Fault indication output
- Line fault detection (LFD)
- Up to SIL 2 acc. to IEC 61508

Function

This isolated barrier is used for intrinsic safety applications. The device supplies power to solenoids, LEDs and audible alarms located in a hazardous area.

It is controlled via a logic signal. The input has two defined states: 1-Signal = 16 V DC ... 30 V DC, 0-Signal = 0 V DC ... 5 V DC. The current consumption of the input is about 3 mA.

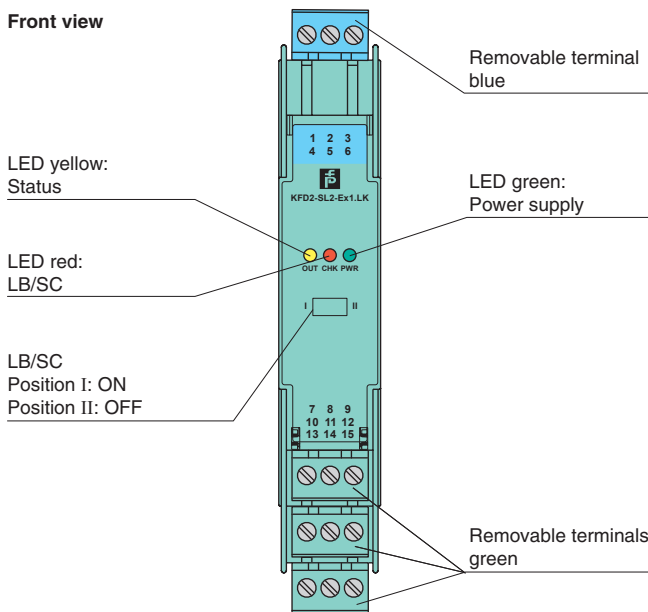
At full load, 11.2 V at 45 mA is available for the hazardous area application.

If the field impedance is > 10 kΩ for lead breakage or < 50 Ω for short circuits a line fault is detected.

During an error condition, the fault indication output de-energizes.

A fault is signaled by LEDs and a separate collective error message output.

Assembly

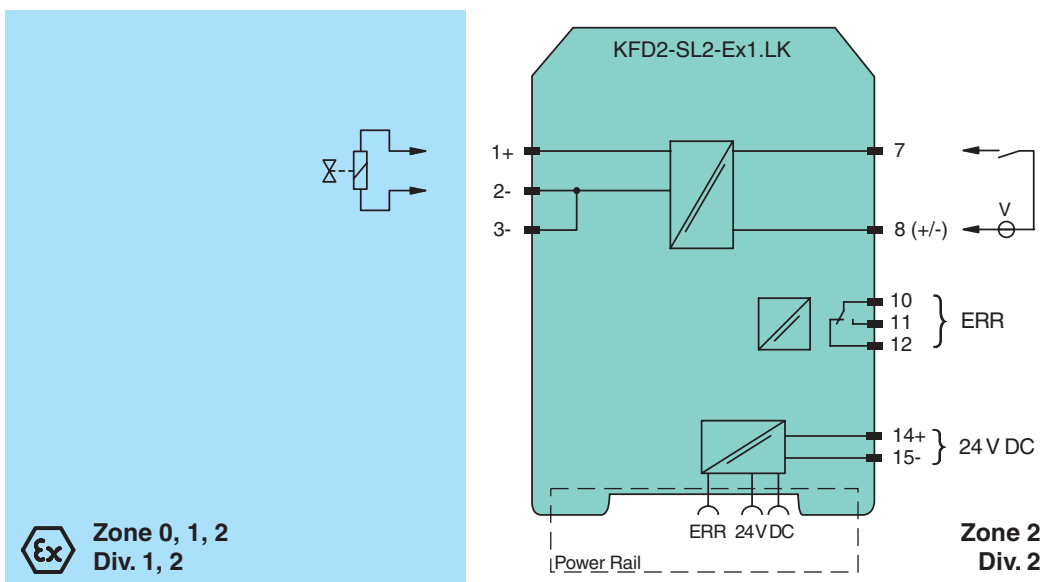


Application

e. g. Yokogawa ProSafe DO card SDV541, SDV531 with deactivated test pulse and deactivated line fault detection


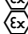
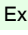


Connection



Release date 2019-01-25 09:38 Date of issue 2019-01-25 808102_eng.xml

Refer to "General Notes Relating to Pepperl+Fuchs Product Information".

General specifications		
Signal type		Digital Output
Functional safety related parameters		
Safety Integrity Level (SIL)		SIL 2
Supply		
Connection		Power Rail or terminals 14+, 15-
Rated voltage	U_r	19 ... 30 V DC
Power dissipation		max. 1.5 W
Power consumption		≤ 2 W at 45 mA output current
Input		
Connection side		control side
Connection		terminals 7, 8
Input current		1-signal: 3.5 mA over the entire range 0-signal: 1.5 mA at 5 V DC
Signal level		1-signal: 16 ... 30 V DC 0-signal: 0 ... 5 V DC
Output		
Connection side		field side
Output I		
Connection		terminals 1+, 2- or 3-
Internal resistor	R_i	270 Ω
Current	I_e	≤ 45 mA
Voltage	U_e	≥ 11.2 V
Open loop voltage	U_s	≥ 23.5 V
Output signal		These values are valid for the rated operating voltage 19 ... 30 V DC.
Energized/De-energized delay		≤ 20 ms / ≤ 20 ms
Line fault detection		signal at short-circuit $R_B < 50 \Omega$, lead breakage $R_B > 10 \text{ k}\Omega$; test current < 650 μA
Output II		
Connection		terminals 10, 11, 12, non-intrinsically safe
Contact loading		253 V AC/2 A/cos φ > 0.7; 40 V DC/2 A resistive load
Mechanical life		2 x 10 ⁷ switching cycles
Energized/De-energized delay		≤ 20 ms / ≤ 20 ms
Galvanic isolation		
Input/power supply		basic insulation according to IEC/EN 61010-1, rated insulation voltage 50 V _{eff}
Output I, II against each other		reinforced insulation according to IEC/EN 61010-1, rated insulation voltage 300 V _{eff}
Output II/power supply		reinforced insulation according to IEC/EN 61010-1, rated insulation voltage 300 V _{eff}
Indicators/settings		
Display elements		LEDs
Control elements		DIP-switch
Configuration		via DIP switches
Labeling		space for labeling at the front
Directive conformity		
Electromagnetic compatibility		
Directive 2014/30/EU		EN 61326-1:2013 (industrial locations)
Low voltage		
Directive 2014/35/EU		EN 61010-1:2010
Conformity		
Electromagnetic compatibility		NE 21:2007
Degree of protection		IEC 60529:2001
Ambient conditions		
Ambient temperature		-20 ... 60 °C (-4 ... 140 °F)
Mechanical specifications		
Degree of protection		IP20
Connection		screw terminals
Mass		approx. 150 g
Dimensions		20 x 119 x 115 mm (0.8 x 4.7 x 4.5 inch), housing type B2
Mounting		on 35 mm DIN mounting rail acc. to EN 60715:2001
Data for application in connection with hazardous areas		
EU-Type Examination Certificate		
Marking		ZELM 99 ATEX 0015  II (1)G [Ex ia Ga] IIC  II (1)D [Ex ia Da] IIIC  I (M1) [Ex ia Ma] I
Output I		Ex ia
Voltage	U_o	28 V

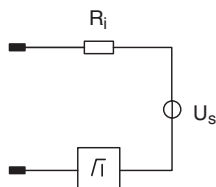
Release date 2019-01-25 09:38 Date of issue 2019-01-25 808102_eng.xml

Refer to "General Notes Relating to Pepperl+Fuchs Product Information".

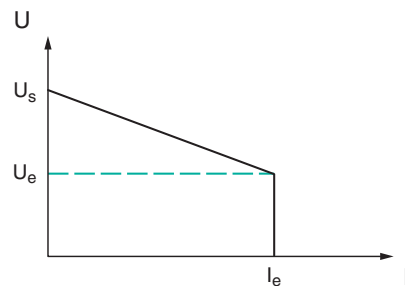
Current	I_o	110 mA
Power	P_o	770 mW (linear characteristic)
Supply		
Maximum safe voltage	U_m	40 V (Attention! The rated voltage can be lower.)
Input		
Maximum safe voltage	U_m	60 V (Attention! The rated voltage can be lower.)
Collective error message		
Maximum safe voltage	U_m	40 V (Attention! The rated voltage can be lower.)
Certificate		TÜV 02 ATEX 1820 X
Marking		⊕ II 3G Ex nA nC IIC T4 Gc
Output II		
Contact loading		50 V AC/2 A/cos $\phi > 0.7$; 40 V DC/2 A resistive load
Galvanic isolation		
Output I/other circuits		safe electrical isolation acc. to IEC/EN 60079-11, voltage peak value 375 V
Directive conformity		
Directive 2014/34/EU		EN 60079-0:2012+A11:2013 , EN 60079-11:2012 , EN 60079-15:2010 , EN 60079-26:2007 , EN 50303:2000
International approvals		
CSA approval		
Control drawing		116-0362
IECEX approval		
IECEX certificate		IECEX ZLM 14.0001
IECEX marking		[Ex ia Ga] IIC, [Ex ia Da] IIIC, [Ex ia Ma] I
General information		
Supplementary information		Observe the certificates, declarations of conformity, instruction manuals, and manuals where applicable. For information see www.pepperl-fuchs.com .
Accessories		
Optional accessories		- power feed module KFD2-EB2(.R4A.B)(.SP) - universal power rail UPR-03(-M)(-S) - profile rail K-DUCT-BU(-UPR-03)

Output characteristics

Output circuit diagram



Output characteristic



Release date 2019-01-25 09:38 Date of issue 2019-01-25 808102_eng.xml

Refer to "General Notes Relating to Pepperl+Fuchs Product Information".