

Features

- TDC 3000 replacement FTA
- Short-circuit protected
- Redundant DCS wirings
- Redundant power supply connections
- Field terminal blocks that are Honeywell FTA compatible
- Honeywell "B" size footprint

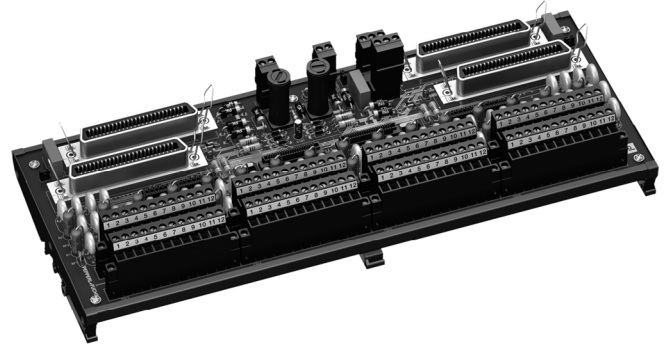
Function

The Termination Board is a Field Termination Assembly (FTA) that is designed as a replacement for the TDC3000 redundant analog input FTA.

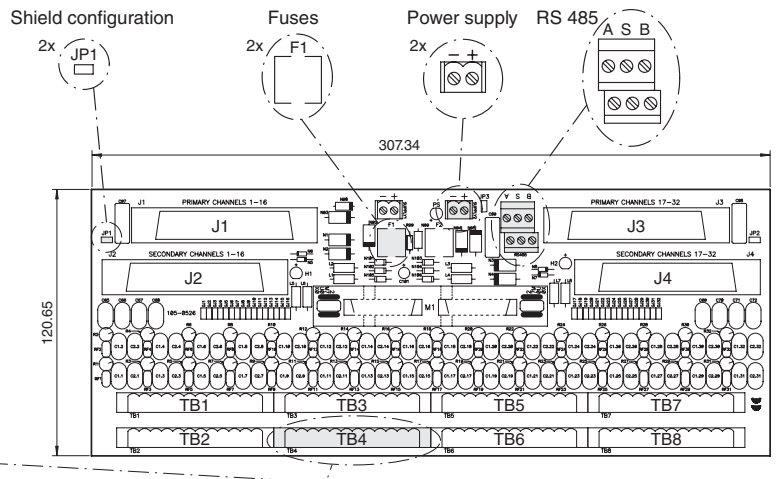
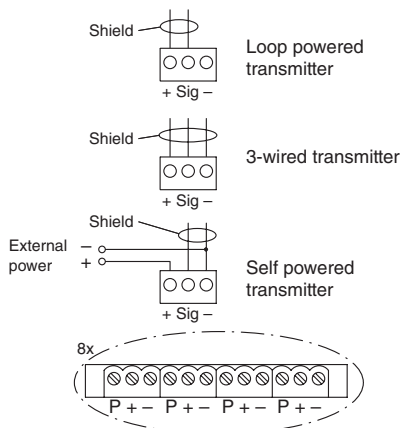
The FTA in conjunction with a Multiplexer HiDMux2700 will extract the digital HART data from standard 4 mA ... 20 mA loops.

The HART Termination Board interfaces up to 32 field located HART devices to a DCS.

Assembly



Connection



Release date 2012-01-23 09:29 Date of issue 2012-01-23 908292_eng.xml

Supply	
Rated voltage	20 ... 30 V DC
Fusing	315 mA , 5 x 20 mm (0.2 x 0.8 in)
Power loss	0.7 W , with Multiplexer
Reverse polarity protected	yes
HART signal channels (intrinsically safe)	
HART signal channels	
Number of channels	32 unbalanced signal loops
Redundancy	
Supply	yes
Electrical isolation	
HART signal channels	30 V DC
Ambient conditions	
Ambient temperature	0 ... 55 °C (32 ... 131 °F)
Relative humidity	5 ... 90 %, non-condensing
Mechanical specifications	
Core cross-section	2.5 mm ² (16 AWG)
Connection	field side: 5.08 mm removable screw terminals control side: 50-pin Centronics plug RS 485 interface: 5.08 mm removable screw terminals power: removable screw terminals
Mass	approx. 500 g
Dimensions	without HiDMux2700: 307 x 120 x 57 mm (12.1 x 4.7 x 2.84 in) with HiDMux2700: 307 x 120 x 190 mm (12.1 x 4.7 x 7.5 in)
Mounting	DIN rail mounting
General information	
Supplementary information	Statement of Conformity, Declaration of Conformity, Attestation of Conformity and instructions have to be observed where applicable. For information see www.pepperl-fuchs.com .

Versions

HiSHPTB/32/HONB-AI-R-01	version for panel mounting
HiSHPTB/32/HONB-AI-R-01-DIN	version for DIN rail mounting

Connections

Terminal block	Channel	Connection
TB1	1 ... 4	(P, +, -)
TB2	5 ... 8	(P, +, -)
TB3	9 ... 12	(P, +, -)
TB4	13 ... 16	(P, +, -)
TB5	17 ... 20	(P, +, -)
TB6	21 ... 24	(P, +, -)
TB7	25 ... 28	(P, +, -)
TB8	29 ... 32	(P, +, -)

Configuration

Connector	Channels
J1	1 ... 16, primary
J2	1 ... 16, sekundary
J3	17 ... 32, primary redundant
J4	17 ... 32, sekundary redundant

Jumper	Analog input redundant	Galvanic grounding	Capacitive grounding
JP1	DCS side channels 1 ... 16 (primary and secondary)	closed	opened
JP2	DCS side channels 17 ... 32 (primary and secondary)	closed	opened
JP3	RS 485	closed	opened

Honeywell IOP interface

- MC-PAIH03
- MU-PSTX01
- MU-PSTX02
- MC-PSXT02
- MU-PSTX03
- MC-PSTX03