



### Model Number

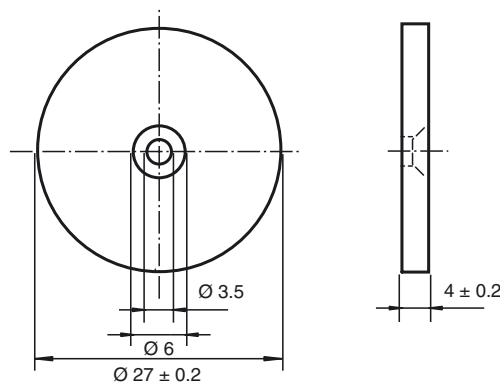
**IQC24-27-T12**

Data carrier

### Features

- Operating frequency 13.56 MHz
- Conforms to ISO 15693
- 64 bit Fixcode
- 992 bytes memory freely available
- Readable and writable from both sides
- Degree of protection IP67
- High temperature rated to 140 °C

### Dimensions



### Technical data

#### General specifications

Operating frequency	13.56 MHz
Transfer rate	26 kBit/s

#### Memory

Chip Type	my-d SRF 55V10P (Infineon)
EEPROM	992 Bit
UID	64 Bit
Memory organization	4 bytes/block
Read cycles	unlimited
Write cycles	10000 @ 70 °C, 1000000 @ <40 °C
Data retention period	10 years @ 40 °C (104 °F)

#### Standard conformity

Degree of protection	EN 60529
RFID	ISO/IEC 15693-1:2010 , ISO/IEC 15693-2:2006 , ISO/IEC 15693-3:2009 , ISO/IEC 18000-3

#### Ambient conditions

Ambient temperature	-25 ... 125 °C (-13 ... 257 °F)
Storage temperature	-40 ... 140 °C (-40 ... 284 °F)

#### Mechanical specifications

Degree of protection	IP67
Material	
Housing	Epoxy resin
Installation	
In air	yes
Mass	5 g
Construction type	Cylindrical

### Notes

The transponder can be read and written from either side.

### Notes

High temperatures will cause the housing to expand.  
If the housing is assembled under mechanical stress, the resulting pressure may damage the tag.  
Install the tag loosely to allow for expansion due to high temperatures.