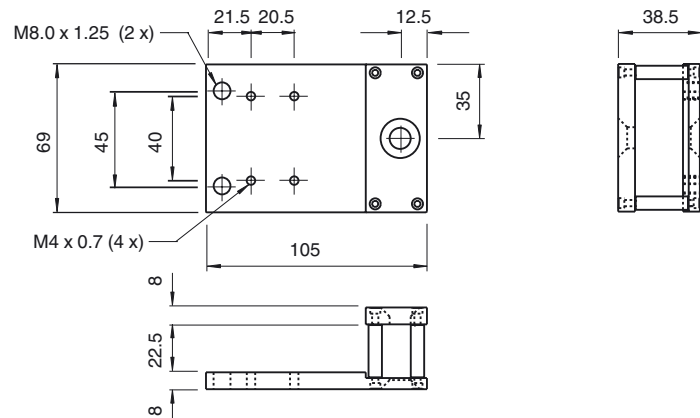




Dimensions



Model Number

OMH-WTS10-04

Mounting bracket

Features

- Simple installation
- Robust construction
- Secure mounting

Technical data

General specifications

Accessories provided Incl. 4 x fixing screws M4 x 25 for sensor WTS10

Mechanical specifications

Mech. capacity Max. tong pressure of 5KN

Material aluminum

Mass 193 g

Suitable series

Series WTS10