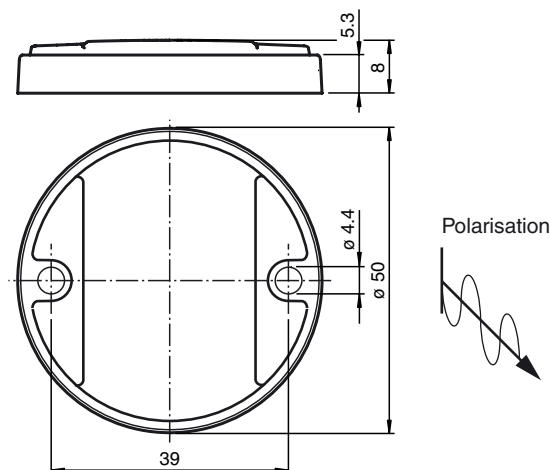




## Dimensions



## Model Number

**IUC76-50-FR2**

Data carrier

## Features

- Operating frequency 902 ... 928 MHz
- Complies with EPC Gen2 (ISO/IEC 18000-63)
- Sturdy housing, suitable for rough industrial use
- Optimized for nonconductive surfaces

## Technical data

### General specifications

Operating frequency	902 ... 928 MHz
Polarization	linear

### Memory

Chip Type	Higgs-3 (Alien)
Memory Bank 00 (Reserved)	64 Bit
Memory Bank 01 (EPC/UJI)	96 ... 480 Bit
Memory Bank 10 (TID)	64 Bit
Memory Bank 11 (User memory)	512 Bit
Read cycles	unlimited
Write cycles	100000
Data retention period	10 years

### Directive conformity

Electromagnetic compatibility	
R&TTE Directive 1995/5/EC	EN 302208-2:2011 V1.4.1

### Standard conformity

Electromagnetic compatibility	EN 302208-2:2011 V1.4.1
Degree of protection	EN 60529:2000
RFID	ISO/IEC 18000-63:2013

### Ambient conditions

Ambient temperature	-40 ... 85 °C (-40 ... 185 °F)
Storage temperature	-40 ... 160 °C (-40 ... 320 °F)

### Mechanical specifications

Degree of protection	IP68
Material	
Housing	PA 6
Installation	
In air	yes
Mass	24 g
Construction type	Cylindrical