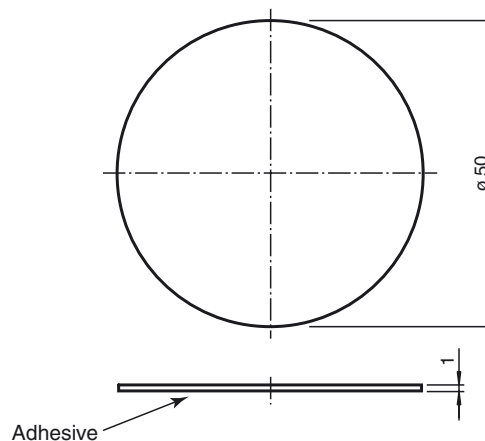




Dimensions



Model Number

IQC21-50PVC

Data carrier

Features

- Operating frequency 13.56 MHz
- Conforms to ISO 15693
- 64 bit Fixcode
- 896 bits memory available
- Readable and writable from both sides
- Degree of protection IP68
- Self-adhesive mounting

Technical data

General specifications

Operating frequency	13.56 MHz
Transfer rate	26 kBit/s

Memory

Chip Type	I-CODE SLI (NXP)
EEPROM	896 Bit
UID	64 Bit
Memory organization	4 bytes/block
Read cycles	unlimited
Write cycles	> 100000
Data retention period	50 years

Standard conformity

Degree of protection	EN 60529
RFID	ISO/IEC 15693-1:2010 , ISO/IEC 15693-2:2006 , ISO/IEC 15693-3:2009 , ISO/IEC 18000-3

Ambient conditions

Ambient temperature	-25 ... 50 °C (-13 ... 122 °F)
Storage temperature	-25 ... 50 °C (-13 ... 122 °F)

Mechanical specifications

Degree of protection	IP68
Material	
Housing	PVC
Installation	Adhesive
In air	yes
Construction type	Label

Notes

The transponder can be read and written from either side.