



## Model Number

**AHS58-H**

## Features

- Industrial standard housing Ø58 mm
- 16 Bit singleturn
- Hardware encoder
- Data transfer up to 2 MBaud
- Optically isolated RS 422 interface
- Hollow shaft

## Description

This singleturn absolute encoder with modern fast technology transmits a position value corresponding to the shaft setting via the SSI interface (Synchronous Serial Interface). The resolution of the AHS58-H is maximum 65536 steps per revolution. In contrast to the AHS58 series the encoder does not have a microcontroller. Thus, it is a pure hardware encoder.

The control module sends a clock bundle to the absolute encoder to obtain the position data. The rotary encoder then sends the position data synchronous to the cycles of the control module. It is possible to select the counting direction with the function input.

The absolute encoder is mounted directly onto the application shaft, without any coupling. Rotation of the absolute encoder is prevented by a torque rest.

The electrical connection is made by a 12-pin round plug connector. It is also possible to obtain a version with a 1 m cable connector.

## Technical data

### General specifications

Detection type	photoelectric sampling
Device type	Singleturn absolute encoder

### Electrical specifications

Operating voltage $U_B$	4.5 ... 30 V DC
No-load supply current $I_0$	max. 180 mA
Time delay before availability $t_v$	< 250 ms
Linearity	$\pm 2$ LSB at 16 Bit, $\pm 1$ LSB at 13 Bit, $\pm 0,5$ LSB at 12 Bit
Output code	Gray code, binary code
Code course (counting direction)	cw descending (clockwise rotation, code course descending)

### Interface

Interface type	SSI
Monoflop time	$20 \pm 10 \mu\text{s}$
Resolution	
Single turn	up to 16 Bit
Overall resolution	up to 16 Bit
Transfer rate	0.1 ... 2 MBit/s
Voltage drop	$U_B - 2.5 \text{ V}$
Standard conformity	RS 422

### Input 1

Input type	Selection of counting direction (cw/ccw)
Signal voltage	
High	4.5 ... 30 V
Low	0 ... 2 V
Input current	< 6 mA
Switch-on delay	< 10 ms

### Connection

Connector	type 9416 (M23), 12-pin, type 9416L (M23), 12-pin
Cable	$\varnothing 7 \text{ mm}$ , $6 \times 2 \times 0.14 \text{ mm}^2$ , 1 m

### Standard conformity

Degree of protection	DIN EN 60529, IP65
Climatic testing	DIN EN 60068-2-3, no moisture condensation
Emitted interference	EN 61000-6-4:2007
Noise immunity	EN 61000-6-2:2005
Shock resistance	DIN EN 60068-2-27, 100 g, 6 ms
Vibration resistance	DIN EN 60068-2-6, 20 g, 10 ... 2000 Hz

### Ambient conditions

Operating temperature	-40 ... 85 °C (-40 ... 185 °F)
Storage temperature	-40 ... 85 °C (-40 ... 185 °F)

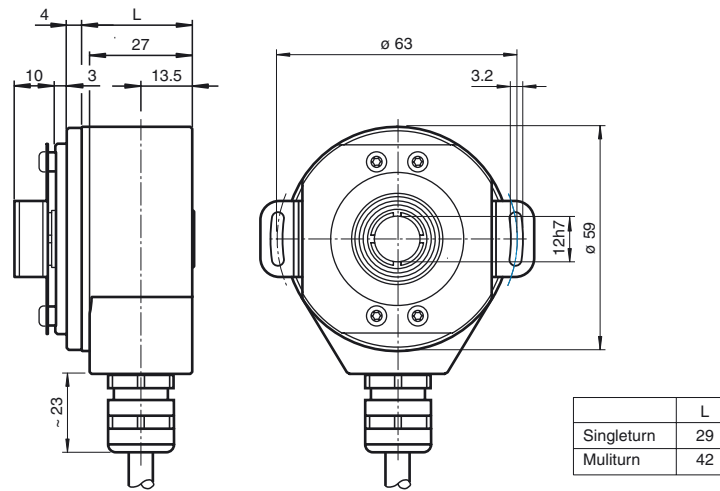
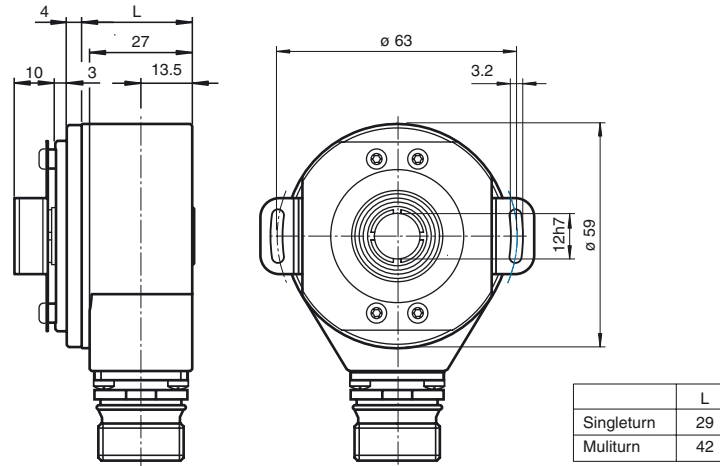
### Mechanical specifications

Material	
Combination 1	Housing: aluminum Flange: aluminum Shaft: stainless steel
Mass	approx. 300 g (combination 1)
Rotational speed	max. $3000 \text{ min}^{-1}$
Moment of inertia	$30 \text{ gcm}^2$
Starting torque	< 3 Ncm
Shaft load	
Angle offset	$\pm 0.9^\circ$
Axial offset	static: $\pm 0.3 \text{ mm}$ , dynamic: $\pm 0.1 \text{ mm}$
Radial offset	static: $\pm 0.5 \text{ mm}$ , dynamic: $\pm 0.2 \text{ mm}$

### Approvals and certificates

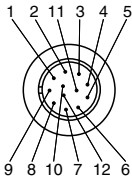
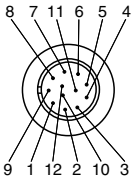
UL approval	cULus Listed, General Purpose, Class 2 Power Source
-------------	---

Dimensions



Release date: 2016-07-12 16:14 Date of issue: 2016-07-12 1155603\_eng.xml

**Electrical connection**

Signal	Cable Ø7 mm, 12-core	Connector 9416, 12-pin	Connector 9416L, 12-pin	Explanation
GND (encoder)	White	1	1	Power supply
U <sub>b</sub> (encoder)	Brown	2	8	Power supply
Clock (+)	Green	3	3	Positive cycle line
Clock (-)	Yellow	4	11	Negative cycle line
Data (+)	Grey	5	2	Positive transmission data
Data (-)	Pink	6	10	Negative transmission data
Reserved	Blue	7	12	Not wired, reserved
V/R	Red	8	5	Input for selection of counting direction
Reserved	Black	9	9	Not wired, reserved
Reserved	Violet	10	4	Not wired, reserved
Reserved	Grey/Pink	11	6	Not wired, reserved
Reserved	Red/Blue	12	7	Not wired, reserved
				

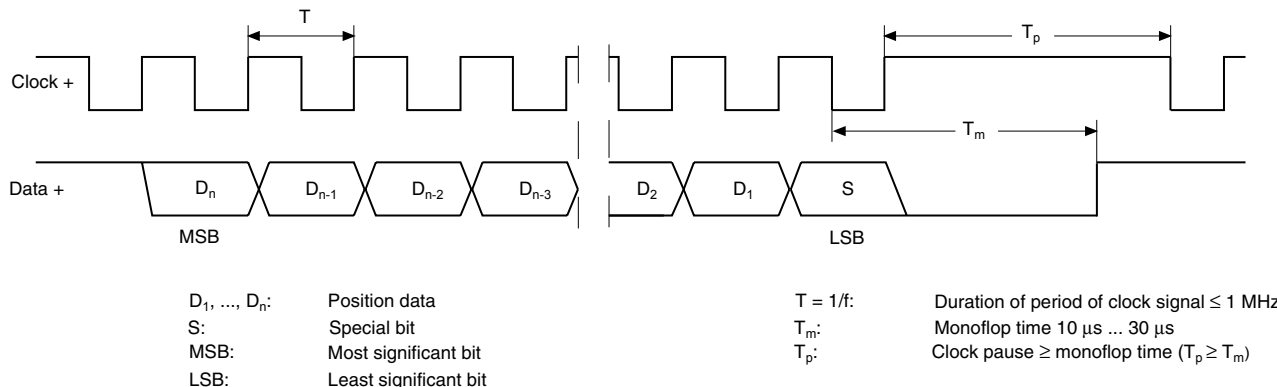
Release date: 2016-07-12 16:14 Date of issue: 2016-07-12 t155603\_eng.xml

**Description**

The Synchronous Serial Interface was specially developed for transferring the output data of an absolute encoder to a control device. The control module sends a clock bundle and the absolute encoder responds with the position value.

Thus only 4 lines are required for the clock and data, no matter what the resolution of the rotary encoder is. The RS 422 interface is optically isolated from the power supply.

**SSI signal course Standard**



**SSI output format Standard**

- At idle status signal lines "Data +" and "Clock +" are at high level (5 V).
- The first time the clock signal switches from high to low, the data transfer in which the current information (position data (D<sub>n</sub>) and special bit (S)) is stored in the encoder is introduced.
- The highest order bit (MSB) is applied to the serial data output of the encoder with the first rising pulse edge.
- The next successive lower order bit is transferred with each following rising pulse edge.
- After the lowest order bit (LSB) has been transferred the data line switches to low until the monoflop time T<sub>m</sub> has expired.
- No subsequent data transfer can be started until the data line switches to high again or the time for the clock pause T<sub>p</sub> has expired.
- After the clock sequence is complete, the monoflop time T<sub>m</sub> is triggered with the last falling pulse edge.
- The monoflop time T<sub>m</sub> determines the lowest transmission frequency.

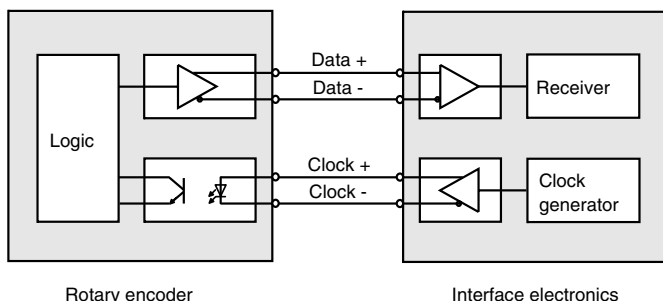
**SSI output format ring slide operation (multiple transmission)**

- In ring slide operation, multiple transmission of the same data word over the SSI interface makes it possible to offer the possibility of detecting transmission errors.
- In multiple transmission, 25 bits are transferred per data word in standard format.
- If the clock change is not interrupted after the last falling pulse edge, ring slide operation automatically becomes active. This means that the information that was stored at the time of the first clock change is generated again.
- After the first transmission, the 26<sup>th</sup> pulse controls data repetition. If the 26<sup>th</sup> pulse follows after an amount of time greater than the monoflop time T<sub>m</sub>, a new current data word will be transmitted with the following pulses.



If the pulse line is exchanged, the data word is generated offset. Ring slide operation is possible up to max. 13 bits.

**Block diagram**



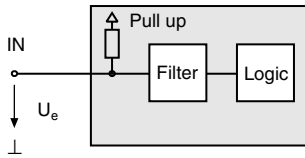
**Line length**

Line length in m	Baudrate in kHz
< 50	< 400
< 100	< 300
< 200	< 200
< 400	< 100

**Input**

The selection of the counting direction input (V/R) is activated with 0-level.

Release date: 2016-07-12 16:14 Date of issue: 2016-07-12 t155603\_eng.xml



Release date: 2016-07-12 16:14 Date of issue: 2016-07-12 t155603\_eng.xml

Refer to "General Notes Relating to Pepperl+Fuchs Product Information".

Pepperl+Fuchs Group  
www.pepperl-fuchs.com

USA: +1 330 486 0001  
fa-info@us.pepperl-fuchs.com

Germany: +49 621 776 4411  
fa-info@de.pepperl-fuchs.com

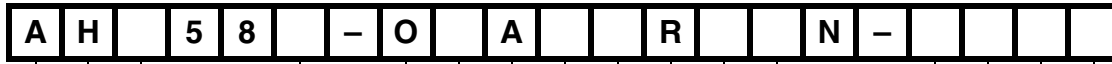
Singapore: +65 6779 9091  
fa-info@sg.pepperl-fuchs.com

Accessories

Accessories	Name/defining feature	Order code
Connectors	Cable socket	9416
	Cable socket	9416L

For additional information on the accessories, please see the "Accessories" section.

Order code



Number of bits singleturn

12 4096 (standard)

13 8192

16 65536

Number of bits multiturn

00 for singleturn-encoders

12 4096 (standard)

14 16384

Output code

B Binary

G Gray

Option

H Hardware encoder

0 Zero set function

Exit position

R Radial

Connection type

K1 Cable Ø7 mm, 6 x 2 x 0.14 mm², 1 m

AA Plug connector type 9416, 12-pin

AB Plug connector type 9416L, 12-pin

Shaft dimension/flange version

OAA Hollow shaft with Ø10 mm

OBA Hollow shaft with Ø12 mm

Housing material

N Aluminium

Principle of operation

S Singleturn

M Multiturn

Wellenausführung

H Hollow shaft

Data format

A SSI (Synchronous Serial Interface)