

Features

- Interface between the I/O modules and the PCS/PLC
- Com unit for 80 analog or 184 digital channels
- Installation in Zone 2, Div. 2 or safe area
- Communication via MODBUS TCP
- HART communication via MODBUS TCP or service bus
- Configuration via FDT 1.2 DTM
- Non-volatile memory for configuration and parameter settings
- Self configuration in redundant systems
- Permanently self-monitoring
- Outputs drive to safe state in case of failures
- Module can be exchanged under voltage

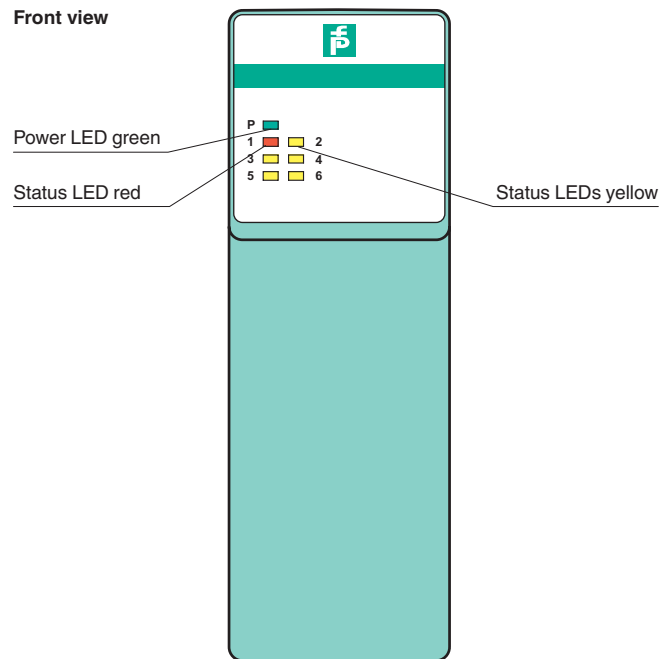
Function

The MODBUS TCP com unit forms the interface between the I/O modules on the backplane and the process control system.

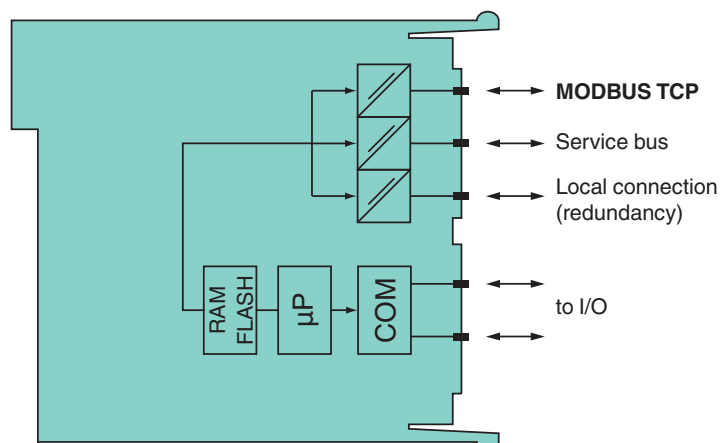
It supports all single width and dual width I/O modules. Thereby signals from NAMUR sensors, mechanical contacts, high-power solenoid drivers, power relays, sounders, and alarm LEDs are transported to the higher-level bus system.

The com unit can be easily configured via DTM and supports redundancy as well as HART.

Assembly



Connection



Zone 2
Div. 2

Supply	
Connection	backplane bus
Rated voltage U_n	5 V DC , only in connection with the power supplies LB9***
Power consumption	2.5 W
Fieldbus interface	
Fieldbus type	MODBUS TCP
Ethernet Interface	
Connection type	RJ-45 , via backplane
Transfer rate	100 MBit/s
Station connection	directly to PCS or PLC or via hubs or switches
Bus length	≤ 100 m (CAT 7 cable)
Addressing	IP address assigned via Ethernet
Ethernet address	IP V4 address (ex works standard: 0.0.0.0, auto IP, DHCP)
Number of channels per station	≤ 80 analog, ≤ 184 digital
Supported I/O modules	all LB remote I/O modules
HART communication	via Ethernet or service bus
Internal bus	
Connection	backplane bus
Redundancy	via backplane
Service interface	
Connection	9-pole to RS 485 standard , Sub-D
Number of stations per bus line	31 (RS-485 standard)
Indicators/settings	
LED indicator	LED P: (power supply): On = operating, fast flash = cold start LED 1: (collective alarm): On = internal fault, flashing = no MODBUS TCP connection LED 2: (status fieldbus): On = Network link OK LED 3: (status service bus): flashing = service bus receive channel active LED 4: (operating mode): flashing 1 (1:1 ratio) = active, normal operation; flashing 2 (7:1 ratio) = active, simulation LED 5: (status fieldbus): flashing = MODBUS response channel active LED 6: (status service bus): flashing = service bus response channel active
Directive conformity	
Electromagnetic compatibility	
Directive 2014/30/EU	EN 61326-1
Conformity	
Degree of protection	IEC 60529
Fieldbus standard	IEEE 802.3
Environmental test	EN 60068-2-14
Shock resistance	EN 60068-2-27
Vibration resistance	EN 60068-2-6
Damaging gas	EN 60068-2-42
Relative humidity	EN 60068-2-56
Ambient conditions	
Ambient temperature	-20 ... 60 °C (-4 ... 140 °F)
Storage temperature	-25 ... 85 °C (-13 ... 185 °F)
Relative humidity	95 % non-condensing
Shock resistance	shock type I, shock duration 11 ms, shock amplitude 50 m/s ² , number of shock directions 6, number of shocks per direction 100
Vibration resistance	frequency range 5 ... 500 Hz, amplitude 5 ... 13.2 Hz ± 1.5 mm, 13.2 ... 100 Hz 1g, sweep rate 1 octave/min, duration 10 sweeps 5 Hz - 100 Hz - 5 Hz
Damaging gas	designed for operation in environmental conditions acc. to ISA-S71.04-1985, severity level G3
Mechanical specifications	
Degree of protection	IP20 (module) , mounted on backplane
Connection	via backplane
Mass	approx. 150 g
Dimensions	32.5 x 100 x 102 mm (1.28 x 3.9 x 4 inch)
Data for application in connection with hazardous areas	
Statement of conformity	PF 08 CERT 1234 X
Group, category, type of protection, temperature class	⊕ II 3 G Ex nA IIC T4 Gc
Directive conformity	
Directive 2014/34/EU	EN 60079-0:2009 EN 60079-11:2007 EN 60079-15:2010
International approvals	
UL approval	E106378

Release date 2016-09-01 13:02 Date of issue 2016-09-01 t163972_eng.xml

Refer to "General Notes Relating to Pepperl+Fuchs Product Information".

Pepperl+Fuchs Group
www.pepperl-fuchs.com

USA: +1 330 486 0002
pa-info@us.pepperl-fuchs.com

Germany: +49 621 776 2222
pa-info@de.pepperl-fuchs.com

Singapore: +65 6779 9091
pa-info@sg.pepperl-fuchs.com

IECEX approval	BVS 09.0037X
Approved for	Ex nA IIC T4 Gc
EAC approval	Russia: RU C-IT.MIII06.B.00129
Marine approval	
Lloyd Register	15/20021
American Bureau of Shipping	T1450280/UN
General information	
System information	The module has to be mounted in appropriate backplanes (LB9***) in Zone 2 or outside hazardous areas. Here, observe the corresponding declaration of conformity. For use in hazardous areas (e. g. Zone 2, Zone 22 or Div. 2) the module must be installed in an appropriate enclosure.
Supplementary information	EC-Type Examination Certificate, Statement of Conformity, Declaration of Conformity, Attestation of Conformity and instructions have to be observed where applicable. For information see www.pepperl-fuchs.com .

Release date 2016-09-01 13:02 Date of issue 2016-09-01 t163972_eng.xml

Refer to "General Notes Relating to Pepperl+Fuchs Product Information".

Pepperl+Fuchs Group
www.pepperl-fuchs.com

USA: +1 330 486 0002
pa-info@us.pepperl-fuchs.com

Germany: +49 621 776 2222
pa-info@de.pepperl-fuchs.com

Singapore: +65 6779 9091
pa-info@sg.pepperl-fuchs.com