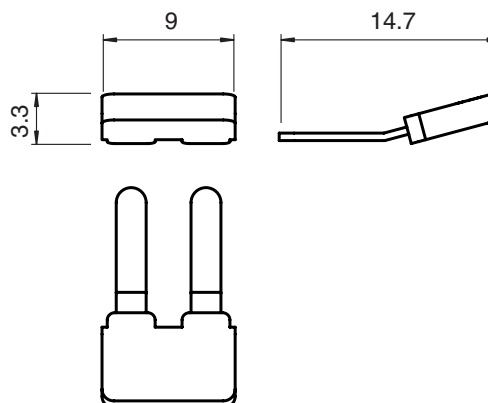




Dimensions



Features

- 2-pin
- Fully insulated
- For connectors with 5.0 mm or 5.08 mm pitch

Function

The insertion bridge is used for jumpering of terminals.

Note: This component is not supplied by Pepperl+Fuchs.

Supplier: Phoenix Contact

Technical data

Mechanical specifications

Mass	approx. 1 g
Dimensions	14.7 x 9 x 3.3 mm (0.58 x 0.35 x 0.13 in)
Mounting	screw mounting