



Model Number

ENI58IL-S

Features

- Housing Ø 58 mm
- Solid shaft
- Servo or clamping flange
- Up to 5000 ppr
- Universal output driver
- BlueBeam technology for ultimate precision

Description

The ENI58IL impresses with its modular design, which is available over all mechanical and electrical interfaces. The ENI58IL is the best solution for all common applications, coupled with its high robustness, high reliability and versatility. With the high-precision BlueBeam technology and innovative housing design, the ENI58IL is the new market standard for incremental encoders.

Technical data

General specifications

Detection type	photoelectric sampling
Linearity error	$\pm 0.025^\circ$
Pulse count	max. 5000
UL File Number	E223176 "For use in NFPA 79 Applications only", if UL marking is marked on the product.

Functional safety related parameters

MTTF _d	140 a
Mission Time (T _M)	20 a
L ₁₀	70 E+9 at 6000 rpm
Diagnostic Coverage (DC)	0 %

Electrical specifications

Operating voltage U _B	4.75 ... 30 V DC
No-load supply current I ₀	max. 50 mA

Output

Output type	push-pull or RS422 (universal output driver, output level depending on input voltage)
Load current	max. per channel 40 mA, short-circuit protected, reverse polarity protected
Output frequency	max. 400 kHz
Rise time	300 ns
Phase position A to B	
Pulse counts < 3600	90° ± 9° electrical
Pulse counts ≥ 3600	90° ± 15° electrical
Duty cycle	1/2 ± 10 %

Connection

Connector	M12 connector, 8-pin M12 connector, 5 pin M23 connector, 12-pin
Cable	Ø6 mm, 4 x 2 x 0.14 mm ²

Standard conformity

Degree of protection	DIN EN 60529, IP65, IP67
Climatic testing	DIN EN 60068-2-78, no moisture condensation
Emitted interference	EN 61000-6-4:2007/A1:2011
Noise immunity	EN 61000-6-2:2005
Shock resistance	DIN EN 60068-2-27, 300 g, 6 ms
Vibration resistance	DIN EN 60068-2-6, 30 g, 10 ... 2000 Hz

Ambient conditions

Operating temperature	-40 ... 85 °C (-40 ... 185 °F), fixed cable -5 ... 85 °C (23 ... 185 °F), movable cable
Storage temperature	-40 ... 85 °C (-40 ... 185 °F)

Mechanical specifications

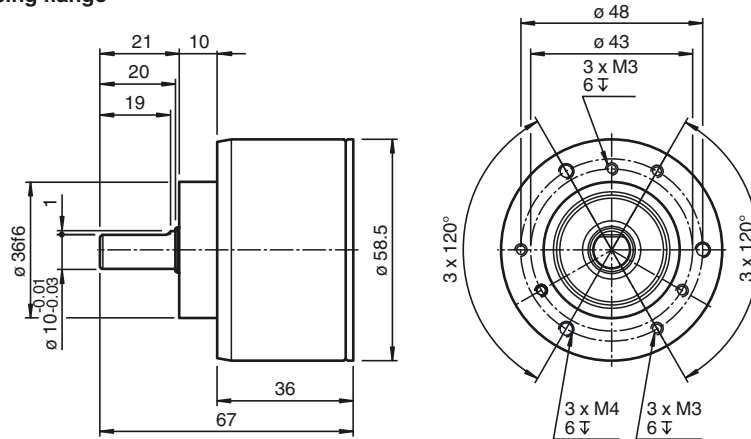
Material	
Housing	3.2315 aluminum (AlMgSi1, saltwater-proof)
Flange	3.2315 aluminum (AlMgSi1, saltwater-proof)
Shaft	Solid shaft Stainless steel
Mass	< 300 g without cable
Rotational speed	max. 12000 min ⁻¹ for IP65, max. 6000 min ⁻¹ for IP67
Moment of inertia	≤ 35 gcm ²
Starting torque	≤ 1 Ncm for IP65, ≤ 2.5 Ncm for IP67
Shaft load	
Axial	40 N at max. 6000 min ⁻¹ 10 N at max. 12000 min ⁻¹
Radial	80 N at max. 6000 min ⁻¹ 20 N at max. 12000 min ⁻¹

Approvals and certificates

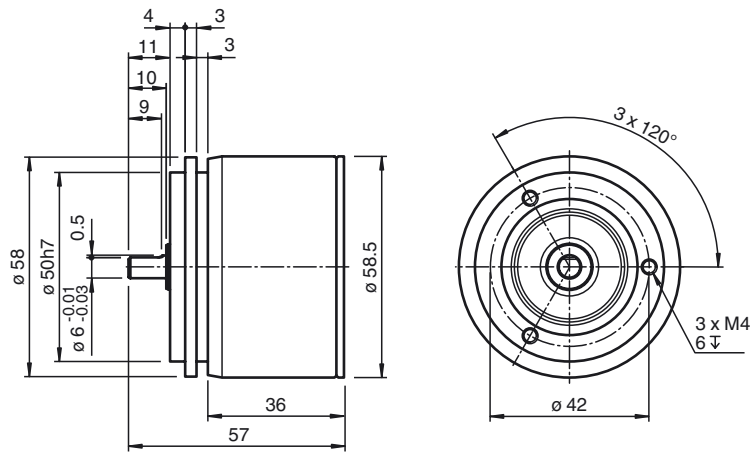
UL approval	cULus Listed, General Purpose, Class 2 Power Source, Type 1 enclosure, if UL marking is marked on the product. adapters providing field wiring on request
Maximum permissible ambient temperature	≤ 80 °C (≤ 176 °F)

Dimensions

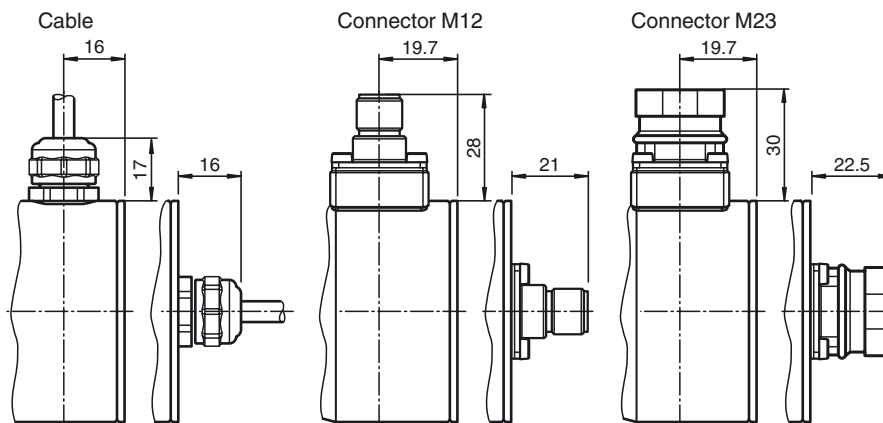
Clamping flange



Servo flange



Connections

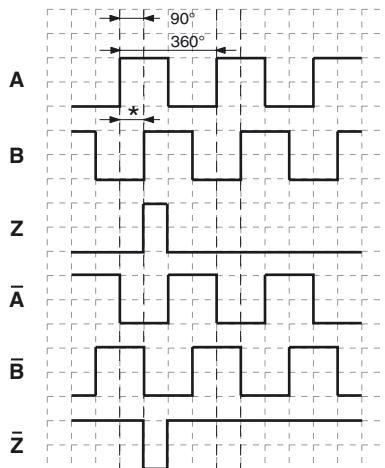


Release date: 2018-10-09 11:04 Date of issue: 2018-10-09 11:04 1182005_eng.xml

Electrical connection

Signal	Cable	Connector M23, 12-pin, clockwise	Connector M23,12-pin, counterclockwise	Connector M12 x 1, 8-pin	Connector M12 x 1, 5-pin
GND	White	10	10	1	3
U _b	Brown	12	12	2	1
A	Green	5	5	3	2
B	Grey	8	8	5	4
\bar{A}	Yellow	6	6	4	-
\bar{B}	Pink	1	1	6	-
Z	Blue	3	3	7	5
\bar{Z}	Red	4	4	8	-
NC	Violet	2	2	-	-
NC	Grey/Pink	7	7	-	-
NC	-	9	9	-	-
NC	Black	11	11	-	-
Screen		Housing	Housing	Housing	Housing
	<p>Note: Unused cores must be insulated individually before commissioning in order to avoid interference.</p>				

Signal outputs



↻ cw - with view onto the shaft
phase relationships electrical
* 1 Measuring step is 90° electrical

Release date: 2018-10-09 11:04 Date of issue: 2018-10-09 t182005_eng.xml

