



## Model Number

ENA36IL-S\*\*\*-CANopen

## Features

- Very small housing
- Up to 31 bit overall resolution
- CANopen interface
- Free of wear magnetic sampling
- High resolution and accuracy

## Description

This absolute rotary encoder provides a position value corresponding to the shaft position on its integrated CAN bus interface. The integrated CAN-bus interface supports all CANopen functions. Thus the following modes can be programmed to either enabled or disabled:

- Polled Mode
- Cyclic Mode
- Sync Mode

## Technical data

### General specifications

Detection type	magnetic sampling
Device type	Absolute encoders
Linearity error	$\leq \pm 0.1^\circ$
UL File Number	E223176 "For use in NFPA 79 Applications only", if UL marking is marked on the product.

### Functional safety related parameters

MTTF <sub>d</sub>	480 a at 40 °C
Mission Time (T <sub>M</sub> )	20 a
L <sub>10</sub>	40 E-8 revolutions at 20/40 N axial/radial shaft load
Diagnostic Coverage (DC)	0 %

### Electrical specifications

Operating voltage U <sub>B</sub>	9 ... 30 V DC (with galvanic isolation)
Power consumption P <sub>0</sub>	$\leq 1.2$ W
Time delay before availability t <sub>v</sub>	< 250 ms
Output code	binary code
Code course (counting direction)	adjustable

### Interface

Interface type	CANopen
Resolution	
Single turn	up to 16 Bit
Multiturn	up to 15 Bit
Overall resolution	up to 31 Bit
Transfer rate	min. 20 kBit/s , max. 1 MBit/s
Cycle time	$\geq 1$ ms
Standard conformity	DSP 406

### Connection

Connector	M12 connector, 5 pin
Cable	$\varnothing 6$ mm, 4 x 2 x 0.14 mm <sup>2</sup>

### Standard conformity

Degree of protection	DIN EN 60529, IP65 or IP54
Climatic testing	DIN EN 60068-2-3, no moisture condensation
Emitted interference	EN 61000-6-4:2007
Noise immunity	EN 61000-6-2:2005
Shock resistance	DIN EN 60068-2-27, 200 g, 6 ms
Vibration resistance	DIN EN 60068-2-6, 20 g, 10 ... 1000 Hz

### Ambient conditions

Operating temperature	cable, flexing: -5 ... 70 °C (23 ... 158 °F), cable, fixed: -30 ... 70 °C (-22 ... 158 °F) connector models: -40 ... 85 °C (-40 ... 185 °F)
Storage temperature	-40 ... 85 °C (-40 ... 185 °F)
Relative humidity	98 % , no moisture condensation

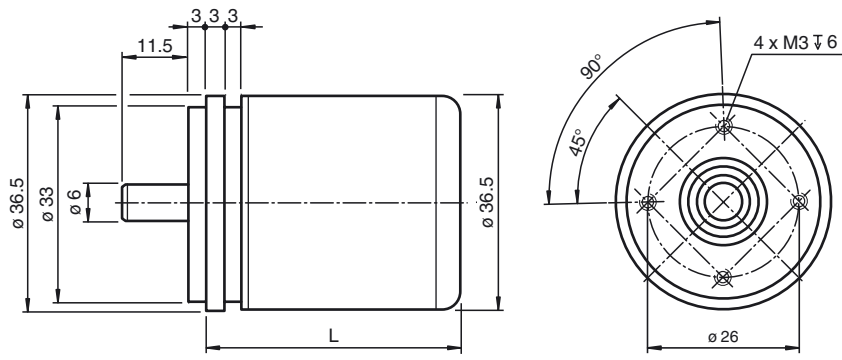
### Mechanical specifications

Material	
Housing	nickel-plated steel
Flange	Aluminum
Shaft	Stainless steel
Mass	approx. 150 g
Rotational speed	max. 12000 min <sup>-1</sup>
Moment of inertia	30 gcm <sup>2</sup>
Starting torque	< 3 Ncm
Shaft load	
Axial	20 N
Radial	40 N

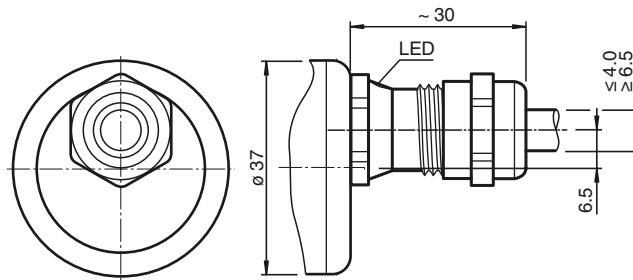
### Approvals and certificates

UL approval	cULus Listed, General Purpose, Class 2 Power Source , if UL marking is marked on the product.
-------------	---

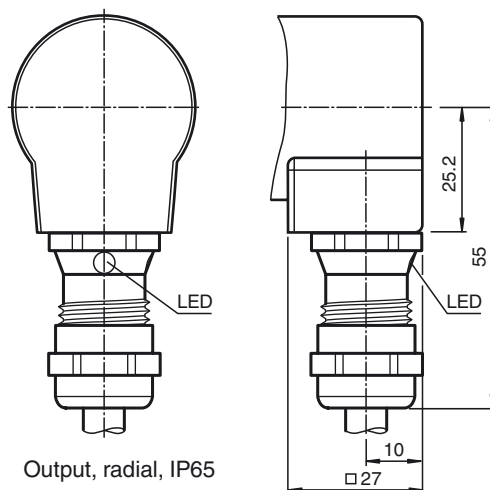
Dimensions



Degree of Protection	L [mm]	
	Axial Output	Radial Output
IP54	43	
IP65	43	39

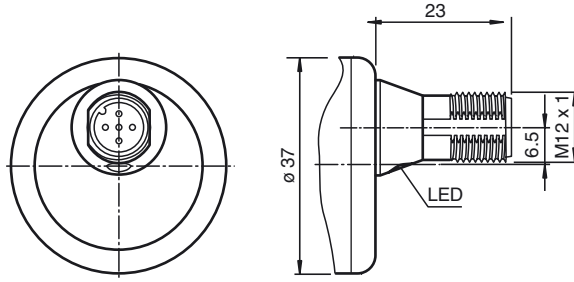


Output, axial, IP65

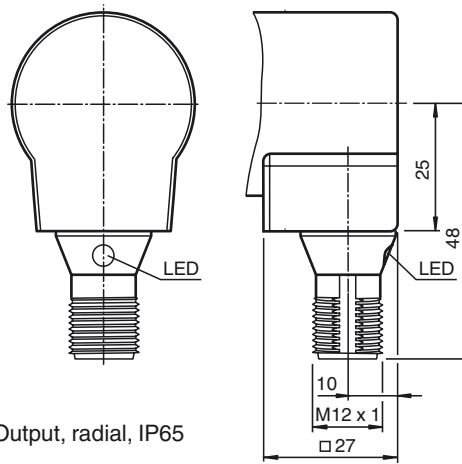


Output, radial, IP65

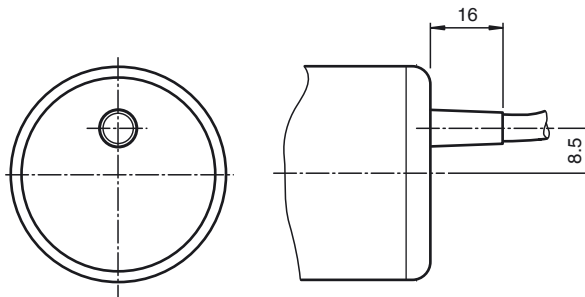
Release date: 2019-01-30 13:21 Date of issue: 2019-01-30 1182403\_eng.xml



Output, axial, IP65



Output, radial, IP65



Output, axial, IP54

Release date: 2019-01-30 13:21 Date of issue: 2019-01-30 1182403\_eng.xml

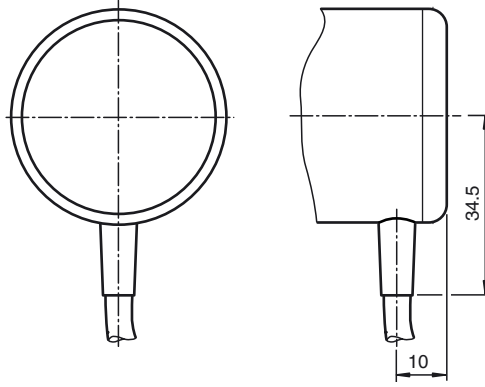
Refer to "General Notes Relating to Pepperl+Fuchs Product Information".

Pepperl+Fuchs Group  
www.pepperl-fuchs.com

USA: +1 330 486 0001  
fa-info@us.pepperl-fuchs.com

Germany: +49 621 776 1111  
fa-info@de.pepperl-fuchs.com

Singapore: +65 6779 9091  
fa-info@sg.pepperl-fuchs.com



Output, radial, IP54

**Electrical connection**

Signal	Wire end	5-pin, M12 x 1 connector
CAN GND	green	1
+V <sub>S</sub>	red	2
GND	yellow	3
CAN-High	white	4
CAN-Low	brown	5
Shielding	Shielding	Housing
Pinout		

Release date: 2019-01-30 13:21 Date of issue: 2019-01-30 1182403\_eng.xml

## Indicating elements

### LED-indicator with dual color LED

CAN Run (green)	State	Description
Blinking	Pre-Operational	Boot up message is sent, device configuration is possible, device is in CAN state „Pre-Operational“
Single flash	Stopped	The Encoder is in CAN state „Stopped“
On	Operational	The encoder is in CAN state „Operational“
Off		No power supply
Err (red)	State	Description
Off	No error	The Encoder is in operating mode
Flickering	AutoBitrate	Auto baud mode is active and the encoder tries to find within the time out period a valid CAN message for baud rate measurement
Single flash	Warning limit reached	At least one of the error counters of the CAN controller has reached or exceeded the warning level (too many error frames)
Double flash	Error control event	A guard event (NTM slave or NTM master) or a heartbeat event has occurred
On	Bus off	The CAN controller is in stae bus off. No communication possible anymore. Too many error frames in the network.

### Programmable CAN operating modes

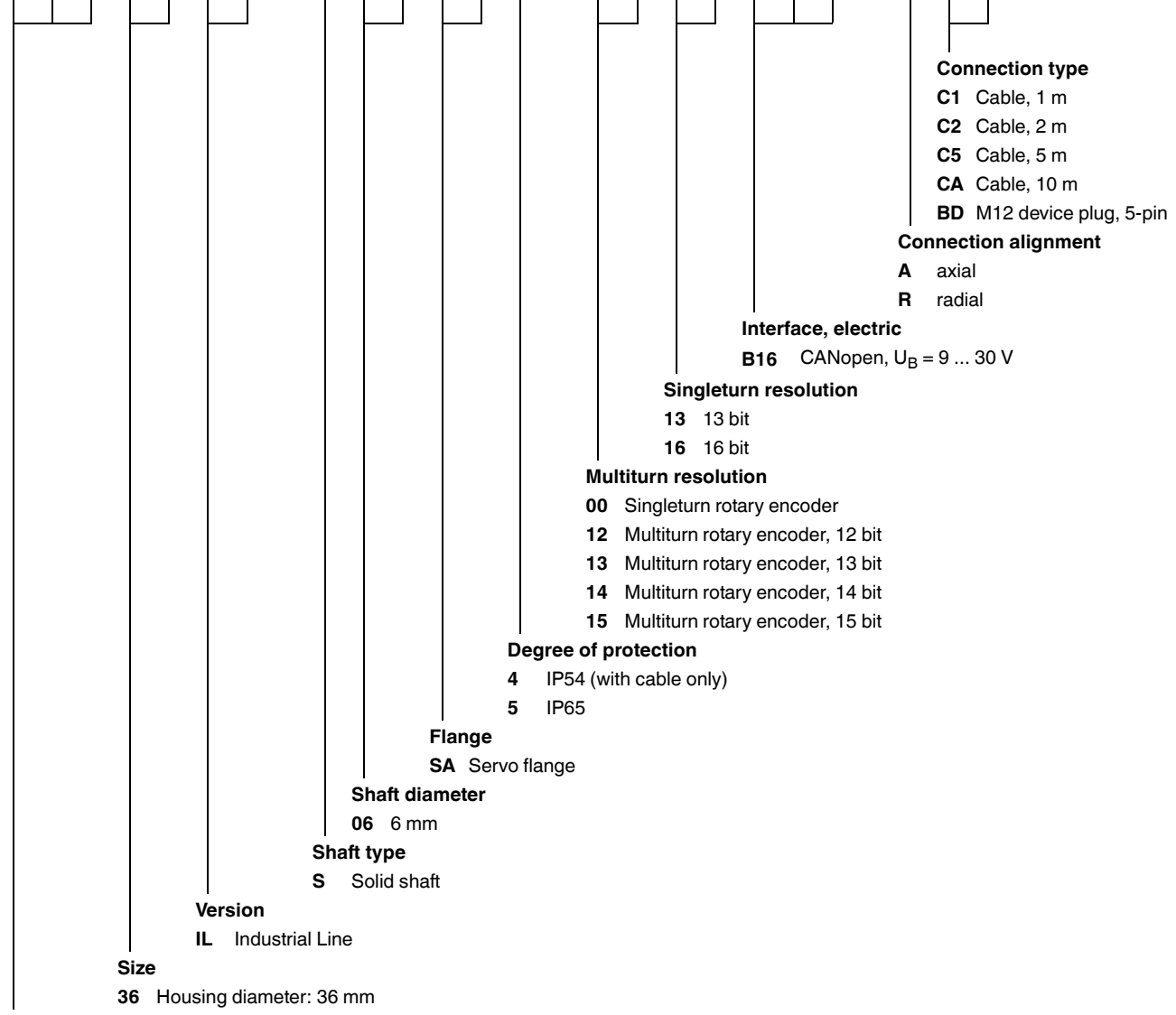
Mode	Explanation
Polled mode	The connected host requests the current actual position value via a remote transmission request telegram. The absolute encoder reads in the current position, calculates all parameters that have been set and sends back the process actual value through the same CAN identifier.
Cyclic mode	The absolute encoder sends the current actual process value cyclically, without being prompted by the host. The cycle time can be programmed in milliseconds for values between 1 ms and 65536 ms.
Sync mode	After the sync telegram has been received by the host, the absolute encoder sends the current actual process value. If multiple nodes should respond to the sync telegram, the individual nodes report one after the other according to their CAN identifier. There is no programming of an offset time. The sync counter can be programmed so that the rotary encoder does not transmit until after a defined number of sync telegrams.

### Programmable rotary encoder parameters

Parameter	Explanation
Operating parameter	The direction of rotation (complement) can be specified by parameter as the operating parameter. This parameter determines the direction of rotation in which the output code will ascend or descend.
Resolution per revolution	The "Resolution" parameter is used to program the rotary encoder so that a desired number of steps can be implemented in reference to one revolution.
Preset value	The preset value is the desired position value that must be achieved for a specific physical setting of the axis. The preset value parameter is used to set the actual position value to the desired actual process value.
Min. and max. limit switch	A total of two positions can be programmed. The absolute encoder sets one bit to high state in the 32 Bit actual process value if a value falls outside the range between these two positions.
Cam	8 freely programmable cams can be set within the overall resolution. This produces the functionality of a mechanical cam shifting mechanism.

**Model number**

**E N A 3 6 I L - S 0 6 S A - - - - B 1 6 - - - -**



- Connection type**  
**C1** Cable, 1 m  
**C2** Cable, 2 m  
**C5** Cable, 5 m  
**CA** Cable, 10 m  
**BD** M12 device plug, 5-pin
- Connection alignment**  
**A** axial  
**R** radial

**Interface, electric**  
**B16** CANopen,  $U_B = 9 \dots 30 \text{ V}$

**Singleturn resolution**  
**13** 13 bit  
**16** 16 bit

**Multiturn resolution**  
**00** Singleturn rotary encoder  
**12** Multiturn rotary encoder, 12 bit  
**13** Multiturn rotary encoder, 13 bit  
**14** Multiturn rotary encoder, 14 bit  
**15** Multiturn rotary encoder, 15 bit

**Degree of protection**  
**4** IP54 (with cable only)  
**5** IP65

**Flange**  
**SA** Servo flange

**Shaft diameter**  
**06** 6 mm

**Shaft type**  
**S** Solid shaft

**Version**  
**IL** Industrial Line

**Size**  
**36** Housing diameter: 36 mm

**Device type**  
**ENA** Absolute rotary encoder

Release date: 2019-01-30 13:21 Date of issue: 2019-01-30 1182403\_eng.xml