

Model number

WCS3B-LS2**

Read head, RS 485 interface, with RS 485 termination resistor

Features

- RS 485 interface
- Non-contact, absolute position encoder
- Automatic detection of dirt accumulation
- Output of position and speed

Accessories

WCS-MP1

Mounting plate for reading heads WCS2 and WCS3

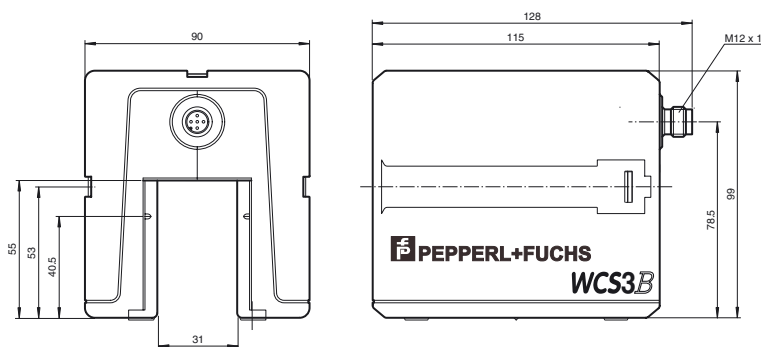
WCS3B-PL2

Transparent protective case and seal for WCS3B reader

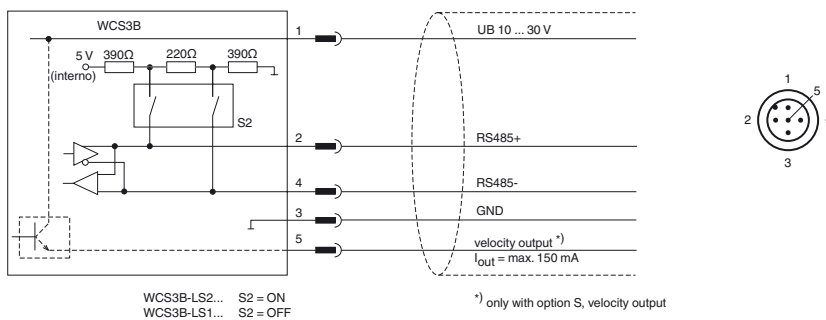
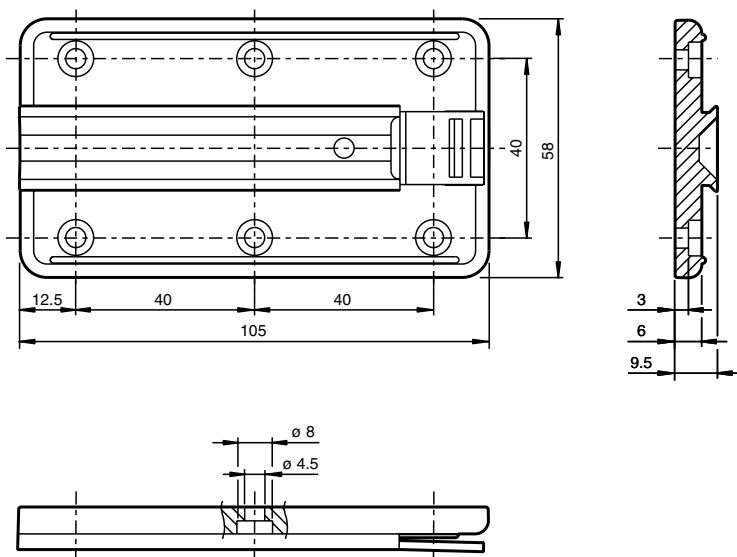
Note

with RS 485 interface

Dimensions



Mounting plate



Technical data

General specifications

Passage speed	v	≤ 12.5 m/s
Measuring range		max. 314.5 m
Free tolerances to code rail		horizontal: 31 mm (± 15.5 mm) vertical: 28 mm (± 14 mm)
Resolution		± 0.4 mm (1,250 positions/m)

Release date: 2013-06-12 14:34 Date of issue: 2013-06-12 t37932_eng.xml

Functional safety related parameters		
MTTF _d		50 a
Mission Time (T _M)		10 a
Diagnostic Coverage (DC)		0 %
Indicators/operating means		
Operating display		LED green: power on
Data flow display		LED yellow: data communication active
Velocity indication		LED yellow (only with Option S, speed output) off, if speed limit is exceeded (instead of data flow display)
Error display		LED red flashing: read head outside of code rail solid on: internal diagnostic test failed
Display		Display module, 6-digit (only with option D, display) adaptable to installation position
Electrical specifications		
Operating voltage	U _B	10 ... 30 V DC
Power consumption	P ₀	2 VA with Option H, heating: 11 VA at 24 V DC
Interface		
Interface type		RS 485 interface
Data output code		binary code
Transfer rate		Baud rate 19.2 kBit/s ... 187.5 kBit/s (to be specified with order)
Termination		with RS 485 termination
Output		
Output velocity		switch output , short-circuit protected (only with Option S, speed output)
Switching voltage		Operating voltage
Standard conformity		
Emitted interference		DIN EN 61000-6-4 , DIN EN 12015
Noise immunity		DIN EN 61000-6-2 , DIN EN 12016
Shock resistance		DIN EN 60068-2-27, half sine 30 g, 18 ms
Vibration resistance		DIN EN 60068-2-6, sine, 5 g, 10 - 2000 Hz, 10 cycles
Ambient conditions		
Operating temperature		0 ... 60 °C (32 ... 140 °F) with Option H, heating: -40 ... 60 °C (-40 ... 140 °F)
Storage temperature		-40 ... 85 °C (-40 ... 185 °F)
Relative humidity		90 % , noncondensing
Mechanical specifications		
Connection type		M12 x 1 connector, 5-pin
Protection degree		IP54
Material		
Housing		ABS , PC (Polycarbonate)
Mass		500 g
General information		
Ordering information		Mounting plate included with delivery