



Model number

WCS2B-LS1**

Reading head, RS 485 interface, without RS 485 termination resistor

Features

- RS 485 interface
- Non-contact, absolute position encoder
- Automatic detection of dirt accumulation
- Output of position and speed

Accessories

WCS-MP1

Mounting plate for reading heads WCS2 and WCS3

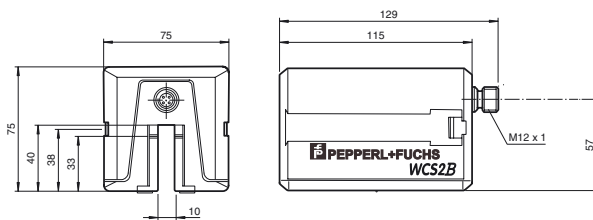
WCS2-PL2

Transparent protective case and seal for WCS2 reader

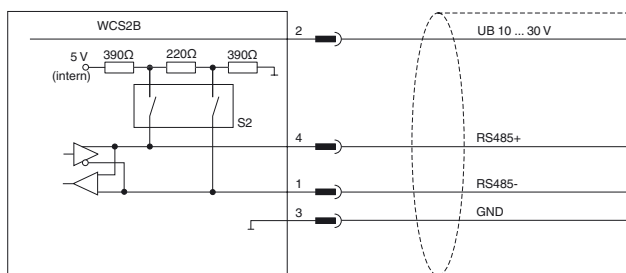
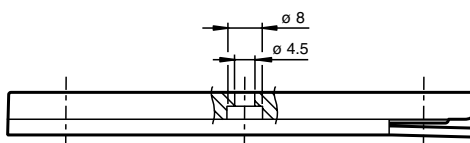
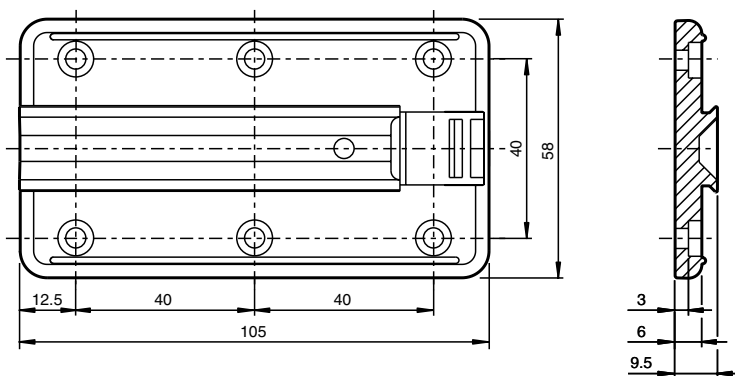
Note

with RS 485 interface

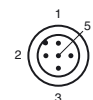
Dimensions



Mounting plate



WCS2B-LS2... S2 = ON
WCS2B-LS1... S2 = OFF



Technical data

General specifications

Passage speed	v	≤ 12.5 m/s
Measuring range		max. 327 m
Free tolerances to code rail		horizontal: 10 mm (± 5 mm) vertical: 10 mm (± 5 mm)
Resolution		± 0.42 mm (1,200 positions/m)

Electrical specifications

Operating voltage	U _B	10 ... 30 V DC
Power consumption	P ₀	2 VA with Option H, heating: 9 VA at 24 V DC

Interface

Interface type	RS 485 interface
----------------	------------------

Release date: 2013-06-12 14:39 Date of issue: 2013-06-12 t39466_eng.xml

Data output code	binary code
Transfer rate	Baud rate 19.2 kBit/s ... 187.5 kBit/s (to be specified with order)
Termination	without RS 485 termination
Standard conformity	
Emitted interference	DIN EN 61000-6-4
Noise immunity	DIN EN 61000-6-2
Shock resistance	DIN EN 60068-2-27, half sine 30 g, 18 ms
Vibration resistance	DIN EN 60068-2-6, sine, 5 g, 10 - 2000 Hz, 10 cycles
Ambient conditions	
Operating temperature	0 ... 60 °C (32 ... 140 °F) with Option H, heating: -40 ... 60 °C (-40 ... 140 °F)
Storage temperature	-40 ... 85 °C (-40 ... 185 °F)
Relative humidity	90 % , noncondensing
Mechanical specifications	
Connection type	M12 x 1 connector, 5-pin
Protection degree	IP54
Material	
Housing	ABS , Polycarbonate , Polyamide (PA)
Mass	500 g
General information	
Ordering information	Mounting plate included with delivery