

Features

- Adapter series to compensate for different thread types and sizes
- Brass nickel-plated or stainless steel AISI 316
- Suitable for operation in Zones 1, 2, 21 and 22
- Certified Ex d, Ex e and Ex tb
- Metric and NPT versions available

Function

The metal adapters type AD.* are suitable to adjust different thread types and sizes for connections to enclosures certified according to type of protection Ex d, Ex e or Ex tb.



Type Code / Model Number

Series

AD adapters

Thread, male

M* male thread metric ISO pitch 1.5; sizes see dimensions data table

NPT* male thread NPT ANSI ASME B1.20.1; sizes see dimensions data table

Thread, female

M* male thread metric ISO pitch 1.5; sizes see dimensions data table

NPT* NPT ANSI ASME B1.20.1; sizes see dimensions data table

Material

BN brass nickel-plated

SS stainless steel

Material Seals / O-Ring

C chloroprene / neoprene

S silicone

X no seal

Thread length for installation in enclosure

****** length in mm

Packaging unit

units not packaged, for use in Pepperl+Fuchs Solution Engineering Centers

K** units quantity per package

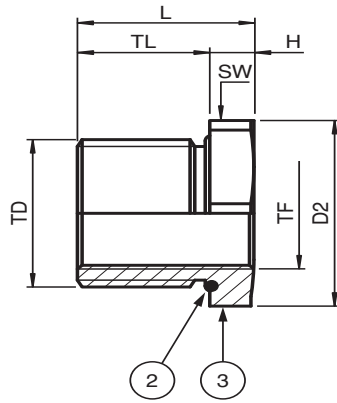
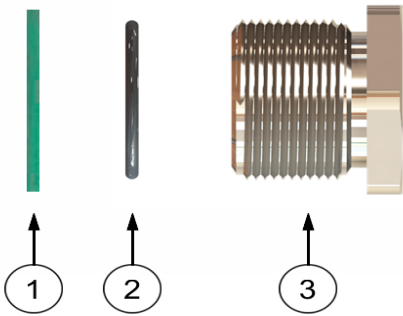
AD	.xx	.xx	.xx	.x	.nn	.Knn	
AD	.M50	.NPT2	.BN	.C	.18	.K01	Example

Example: Adapter, male thread size M50, female thread size NPT 2", body brass nickel-plated, O-Ring chloroprene, installation thread length 18 mm, one piece

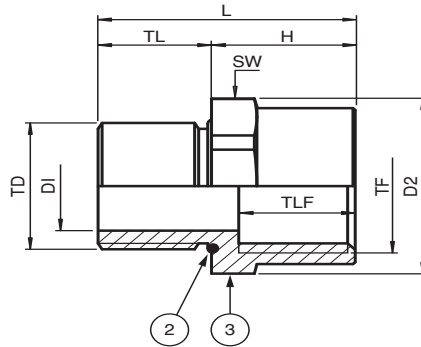
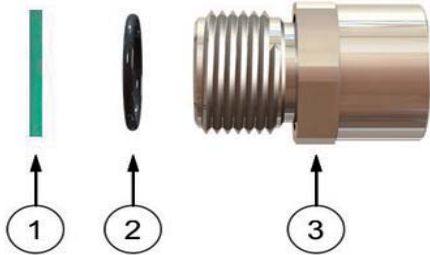
Release date 2018-09-21 T180359

Technical Data	
Mechanical specifications	
Dimensions	see data tables
Thread type	metric ISO pitch 1.5 mm or NPT ANSI ASME B1.20.1
Thread type female	metric ISO pitch 1.5 mm or NPT ANSI ASME B1.20.1
Degree of protection	IP66 / IP68
Mass	see data tables
Material	
Adapter	brass nickel-plated or AISI 316 (1.4401) stainless steel
Finish	inherent color silver
O-Ring	chloroprene / neoprene or silicone
Washer gasket	aramid fibers bonded with NBR
Ambient conditions	
Ambient temperature	chloroprene seal: -40 ... 100 °C (-40 ... 212 °F) silicone seal: -60 ... 130 °C (-76 ... 266 °F) washer gasket: -40 ... 80 °C (-40 ... 176 °F)
Data for application in connection with hazardous areas	
EU-Type Examination Certificate	CESI 15ATEX029X
Marking	⊕ II 2 GD Ex d IIC Gb Ex e IIC Gb Ex tb IIIC Db
International approvals	
IECEX approval	IECEX CES 15.0006X
EAC approval	TC RU C-TR.GB05.B.00918
Conformity	
Degree of protection	EN 60529
CE marking	0102
General information	
Supplementary information	EC-Type Examination Certificate, Statement of Conformity, Declaration of Conformity, Attestation of Conformity and instructions have to be observed where applicable. For information see www.pepperl-fuchs.com .
Scope of delivery	K01 - metric variants, individual component: Adapter, washer gasket, locknut, brief instructions K01 - NPT variants, individual component: Adapter, washer gasket, locknut, brief instructions Knn - packing unit with multiple components: Adapter, brief instructions (1 copy)

Dimensions



Legend	
1	Washer gasket (accessory)
2	O-Ring
3	Adapter
DI	Diameter thru-hole
D2	Width across corners
H	Length outside enclosure
SW	Width across flats
TD	Thread size
TF	Thread size female
TL	Thread length
TLF	Thread length female
L	Total length



For details see data tables

Dimensions Metric-Metric - Brass Nickel-plated, O-Ring Chloroprene

Type	Thread Male		Thread Female		Dimensions [mm]				Mass approx.		Nut torques [Nm]	Delivery quantity
	TD	TL [mm]	TF	TLF [mm]	H	L	D2	SW	Component	Packaging unit	SW	
AD.M20.M16.BN.C.15.K01	M20	15	M16	19	4	19	27.5	25	39 g	51 g	6	1
AD.M20.M16.BN.C.15.K63	M20	15	M16	19	4	19	27.5	25	39 g	2.7 kg	6	63
AD.M25.M20.BN.C.15.K01	M25	15	M20	19	4	19	33	30	66 g	86 g	8.5	1
AD.M25.M20.BN.C.15.K35	M25	15	M20	19	4	19	33	30	66 g	2.54 kg	8.5	35
AD.M32.M20.BN.C.15.K01	M32	15	M20	19	4	19	39.8	36	83 g	108 g	9	1
AD.M32.M20.BN.C.15.K35	M32	15	M20	19	4	19	39.8	36	83 g	3.2 kg	9	35
AD.M32.M25.BN.C.15.K01	M32	15	M25	19	4	19	39.8	36	53 g	69 g	9	1
AD.M32.M25.BN.C.15.K35	M32	15	M25	19	4	19	39.8	36	53 g	2.04 kg	9	35
AD.M40.M32.BN.C.18.K01	M40	18	M32	22	4	22	50	45	91 g	118 g	9.5	1
AD.M40.M32.BN.C.18.K20	M40	18	M32	22	4	22	50	45	91 g	2 kg	9.5	20
AD.M50.M40.BN.C.18.K01	M50	18	M40	23	5	23	61	55	153 g	199 g	10	1
AD.M50.M40.BN.C.18.K12	M50	18	M40	23	5	23	61	55	153 g	2.02 kg	10	12
AD.M63.M50.BN.C.18.K01	M63	18	M50	23	5	23	78	70	199 g	259 g	10.5	1
AD.M63.M50.BN.C.18.K12	M63	18	M50	23	5	23	78	70	199 g	2.63 kg	10.5	12

Dimensions NPT-Metric - Brass Nickel-plated

Type	Thread Male		Thread Female		Dimensions [mm]					Mass approx.		Nut torques [Nm]	Delivery quantity
	TD	TL [mm]	TF	TLF [mm]	H	L	DI	D2	SW	Component	Packaging unit	SW	
AD.NPT1/2.M20.BN.X.15.K01	NPT 1/2"	15	M20	15	19	34	14.5	27.5	25	55 g	65 g	8	1
AD.NPT1/2.M20.BN.X.15.K35	NPT 1/2"	15	M20	15	19	34	14.5	27.5	25	55 g	2.12 kg	8	35
AD.NPT3/4.M20.BN.X.15.K01	NPT 3/4"	15	M20	19	10	19	-	33	30	41 g	51 g	9	1
AD.NPT3/4.M20.BN.X.15.K35	NPT 3/4"	15	M20	19	10	19	-	33	30	41 g	1.58 kg	9	35
AD.NPT3/4.M25.BN.X.15.K01	NPT 3/4"	15	M25	15	19	34	19	33	30	49 g	59 g	9	1
AD.NPT3/4.M25.BN.X.15.K35	NPT 3/4"	15	M25	15	19	34	19	33	30	49 g	1.89 kg	9	35
AD.NPT3/4.M32.BN.X.15.K01	NPT 3/4"	15	M32	15	19	34	19	39.8	36	83 g	93 g	9	1
AD.NPT3/4.M32.BN.X.15.K35	NPT 3/4"	15	M32	15	19	34	19	39.8	36	83 g	3.2 kg	9	35
AD.NPT1.M32.BN.X.15.K01	NPT 1"	15	M32	15	19	34	26	39.8	36	77 g	87 g	11	1
AD.NPT1.M32.BN.X.15.K35	NPT 1"	15	M32	15	19	34	26	39.8	36	77 g	2.96 kg	11	35
AD.NPT1.M40.BN.X.15.K01	NPT 1"	15	M40	15	19	37	26	50	45	103 g	113 g	11	1
AD.NPT1.M40.BN.X.15.K35	NPT 1"	15	M40	15	19	37	26	50	45	103 g	3.97 kg	11	35
AD.NPT1-1/4.M40.BN.X.18.K01	NPT 1-1/4"	18	M40	18	22	40	35	50	45	110 g	120 g	13	1
AD.NPT1-1/4.M40.BN.X.18.K20	NPT 1-1/4"	18	M40	18	22	40	35	50	45	110 g	2.42 kg	13	20
AD.NPT1-1/2.M50.BN.X.18.K01	NPT 1-1/2"	18	M50	18	22	40	40	61	55	115 g	125 g	15	1
AD.NPT1-1/2.M50.BN.X.18.K20	NPT 1-1/2"	18	M50	18	22	40	40	61	55	115 g	2.53 kg	15	20
AD.NPT2.M75.BN.X.18.K01	NPT 2"	18	M75	18	22.5	40.5	51	89	80	120 g	130 g	18	1
AD.NPT2.M75.BN.X.18.K12	NPT 2"	18	M75	18	22.5	40.5	51	89	80	120 g	1.58 kg	18	12

*Knn: scope of delivery see table technical data

Dimensions Metric-NPT - Brass Nickel-plated, O-Ring Chloroprene

Type	Thread Male		Thread Female		Dimensions [mm]					Mass approx.		Nut torques [Nm]	Delivery quantity
	TD	TL [mm]	TF	TLF [mm]	H	L	D1	D2	SW	Component	Packaging unit	SW	
AD.M20.NPT1/2.BN.C.15.K01	M20	15	NPT 1/2"	15	19	34	14	27.5	25	51 g	66 g	6	1
AD.M20.NPT1/2.BN.C.15.K35	M20	15	NPT 1/2"	15	19	34	14	27.5	25	51 g	1.96 kg	6	35
AD.M20.NPT3/4.BN.C.15.K01	M20	15	NPT 3/4"	15	19	34	14	33	30	64 g	83 g	6	1
AD.M20.NPT3/4.BN.C.15.K35	M20	15	NPT 3/4"	15	19	34	14	33	30	64 g	2.46 kg	6	35
AD.M25.NPT1/2.BN.C.15.K01	M25	15	NPT 1/2"	21	4	21	-	33	30	33 g	43 g	8.5	1
AD.M25.NPT1/2.BN.C.15.K35	M25	15	NPT 1/2"	21	4	21	-	33	30	33 g	1.27 kg	8.5	35
AD.M25.NPT3/4.BN.C.15.K01	M25	15	NPT 3/4"	15	19	34	19	33	30	49 g	64 g	8.5	1
AD.M25.NPT3/4.BN.C.15.K35	M25	15	NPT 3/4"	15	19	34	19	33	30	49 g	1.89 kg	8.5	35
AD.M25.NPT1.BN.C.15.K01	M25	15	NPT 1"	15	19	34	19	39.8	36	49 g	64 g	8.5	1
AD.M25.NPT1.BN.C.15.K35	M25	15	NPT 1"	15	19	34	19	39.8	36	49 g	1.89 kg	8.5	35
AD.M32.NPT3/4.BN.C.15.K01	M32	15	NPT 3/4"	21	4	21	-	39.8	36	53 g	69 g	9	1
AD.M32.NPT3/4.BN.C.15.K35	M32	15	NPT 3/4"	21	4	21	-	39.8	36	53 g	2.04 kg	9	35
AD.M32.NPT1.BN.C.15.K01	M32	15	NPT 1"	15	19	34	26	39.8	36	77 g	100 g	9	1
AD.M32.NPT1.BN.C.15.K35	M32	15	NPT 1"	15	19	34	26	39.8	36	77 g	2.96 kg	9	35
AD.M40.NPT1-1/4.BN.C.18.K01	M40	18	NPT 1-1/4"	18	22	40	34	50	45	103 g	134 g	9.5	1
AD.M40.NPT1-1/4.BN.C.18.K20	M40	18	NPT 1-1/4"	18	22	40	34	50	45	103 g	2.27 kg	9.5	20
AD.M40.NPT1-1/2.BN.C.18.K01	M40	18	NPT 1-1/2"	18	22	40	34	61	55	208 g	270 g	9.5	1
AD.M40.NPT1-1/2.BN.C.18.K20	M40	18	NPT 1-1/2"	18	22	40	34	61	55	208 g	4.58 kg	9.5	20
AD.M50.NPT1-1/2.BN.C.18.K01	M50	18	NPT 1-1/2"	18	22	40	40	61	55	220 g	286 g	10	1
AD.M50.NPT1-1/2.BN.C.18.K12	M50	18	NPT 1-1/2"	18	22	40	40	61	55	220 g	2.9 kg	10	12
AD.M50.NPT2.BN.C.18.K01	M50	18	NPT 2"	18	22.5	40.5	44	72	65	238 g	309 g	10	1
AD.M50.NPT2.BN.C.18.K12	M50	18	NPT 2"	18	22.5	40.5	44	72	65	238 g	3.14 kg	10	12
AD.M63.NPT2.BN.C.18.K01	M63	18	NPT 2"	18	22.5	40.5	51	78	68	362 g	471 kg	10.5	1
AD.M63.NPT2.BN.C.18.K12	M63	18	NPT 2"	18	22.5	40.5	51	78	68	362 g	4.78 kg	10.5	12

*Knn: scope of delivery see table technical data

Dimensions Metric-NPT - Stainless Steel, O-Ring Chloroprene

Type	Thread Male		Thread Female		Dimensions [mm]					Mass approx.		Nut torques [Nm]	Delivery quantity
	TD	TL [mm]	TF	TLF [mm]	H	L	DI	D2	SW	Component	Packaging unit	SW	
AD.M20.NPT1/2.SS.C.15.K01	M20	15	NPT 1/2"	15	19	34	14	27.5	25	48 g	62 g	6	1
AD.M20.NPT1/2.SS.C.15.K35	M20	15	NPT 1/2"	15	19	34	14	27.5	25	48 g	1.85 kg	6	35
AD.M20.NPT3/4.SS.C.15.K01	M20	15	NPT 3/4"	15	19	34	14	33	30	60 g	78 g	6	1
AD.M20.NPT3/4.SS.C.15.K35	M20	15	NPT 3/4"	15	19	34	14	33	30	60 g	2.31 kg	6	35
AD.M25.NPT1/2.SS.C.15.K01	M25	15	NPT 1/2"	19	4	19	-	33	30	33 g	43 g	8.5	1
AD.M25.NPT1/2.SS.C.15.K35	M25	15	NPT 1/2"	19	4	19	-	33	30	33 g	1.27 kg	8.5	35
AD.M25.NPT3/4.SS.C.15.K01	M25	15	NPT 3/4"	15	19	34	19	33	30	93 g	121 g	8.5	1
AD.M25.NPT3/4.SS.C.15.K35	M25	15	NPT 3/4"	15	19	34	19	33	30	93 g	3.58 kg	8.5	35
AD.M25.NPT1.SS.C.15.K01	M25	15	NPT 1"	15	19	34	19	39.8	36	62 g	81 g	8.5	1
AD.M25.NPT1.SS.C.15.K35	M25	15	NPT 1"	15	19	34	19	39.8	36	62 g	2.39 kg	8.5	35
AD.M32.NPT3/4.SS.C.15.K01	M32	15	NPT 3/4"	19	4	19	-	39.8	30	70 g	91 g	9	1
AD.M32.NPT3/4.SS.C.15.K35	M32	15	NPT 3/4"	19	4	19	-	39.8	30	70 g	2.7 kg	9	35
AD.M32.NPT1.SS.C.15.K01	M32	15	NPT 1"	15	19	34	26	39.8	36	52 g	68 g	9	1
AD.M32.NPT1.SS.C.15.K35	M32	15	NPT 1"	15	19	34	26	39.8	36	52 g	2 kg	9	35
AD.M40.NPT1-1/4.SS.C.18.K01	M40	18	NPT 1-1/4"	18	22	40	34	50	45	103 g	134 g	9.5	1
AD.M40.NPT1-1/4.SS.C.18.K20	M40	18	NPT 1-1/4"	18	22	40	34	50	45	103 g	2.27 kg	9.5	20
AD.M40.NPT1-1/2.SS.C.18.K01	M40	18	NPT 1-1/2"	18	22	40	34	61	55	208 g	270 g	9.5	1
AD.M40.NPT1-1/2.SS.C.18.K20	M40	18	NPT 1-1/2"	18	22	40	34	61	55	208 g	4.58 kg	9.5	20
AD.M50.NPT1-1/2.SS.C.18.K01	M50	18	NPT 1-1/2"	18	22	40	40	61	55	217 g	282 g	10	1
AD.M50.NPT1-1/2.SS.C.18.K12	M50	18	NPT 1-1/2"	18	22	40	40	61	55	217 g	2.86 kg	10	12
AD.M50.NPT2.SS.C.18.K01	M50	18	NPT 2"	18	22.5	40.5	44	72	65	240 g	312 g	10	1
AD.M50.NPT2.SS.C.18.K12	M50	18	NPT 2"	18	22.5	40.5	44	72	65	240 g	3.17 kg	10	12
AD.M63.NPT2.SS.C.18.K01	M63	18	NPT 2"	18	22.5	40.5	51	78	68	362 g	471 g	10.5	1
AD.M63.NPT2.SS.C.18.K12	M63	18	NPT 2"	18	22.5	40.5	51	78	68	362 g	4.78 kg	10.5	12

*Knn: scope of delivery see table technical data