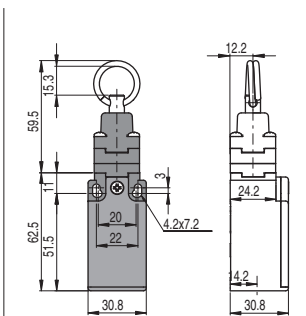


## FR 573-M2 signal switches with persistent contact

Contact type:

R = snap action



Contact block

5	R	FR 573-M2	1NO+1NC
11	R	FR 1173-M2	2NO
12	R	FR 1273-M2	2NC
Max. speed		0.5 m/s	
Actuating force		initial 20 N - final 40 N	

All values in the drawings are in mm

The switch is operated by traction of a rope connected to it and retains its state after actuation.

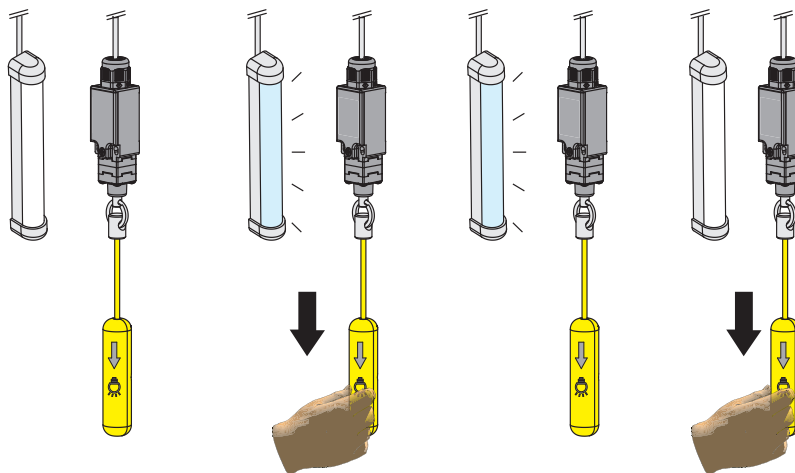
This means that the first actuation closes the contacts, the next actuation opens them and so on.

This solution has been specifically designed to be applicable in all those situations where a floating switch is usually used to control a stepping relay, such as, for example, a device for switching on and off lights in rooms or for the opening / closing of gates.

Thanks to the retained actuation state, the first traction on the rope will enable, for example, the switching on of an illumination system, which can then be switched off by a subsequent traction.

The use of the switch alone makes the combinations of stepping relays and associated wiring unnecessary, greatly simplifying installation.

For more information see the General Catalogue Lifts by Pizzato Elettrica.



## FT series switches with electrical reset



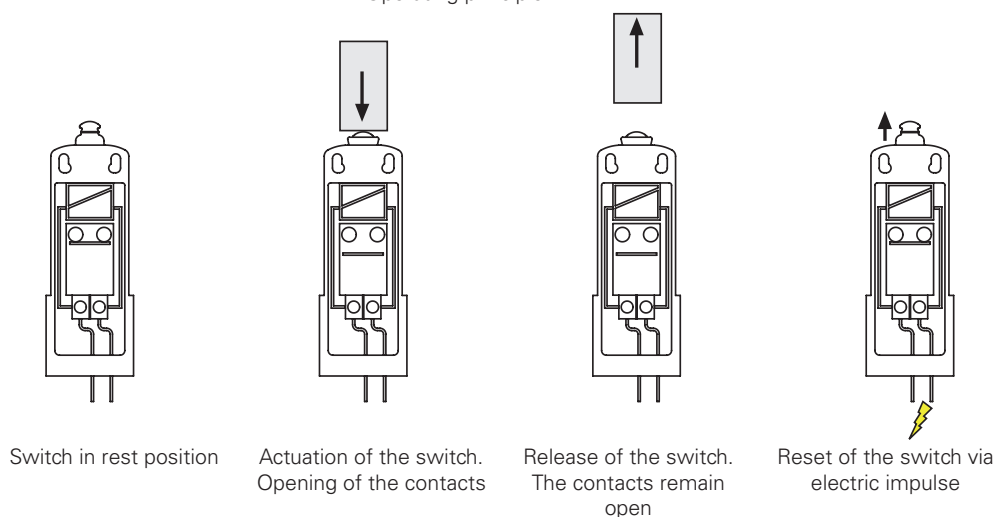
The FT series safety switches with reset retain their switching state when operated: their reset occurs electrically through the integrated solenoid. Thanks to this special feature, the switch can be remotely reset without having to go physically near it.

Available with 3 supply voltages of the solenoid (24 Vdc, 48 Vdc, 230 Vac) and with multiple actuators, the FT series switches are able to adapt to a wide variety of applications, particularly in the area of lifts, speed limiters and, more generally, in the world of security. Some models may also be manually reset.

Pizzato Elettrica has also introduced a new adjustment system integrated into the switch. It is designed specifically for speed limiter applications and allows a very fine and sensitive setting of the switch position along its vertical axis.

For more information see the General Catalogue Lifts by Pizzato Elettrica.

Operating principle

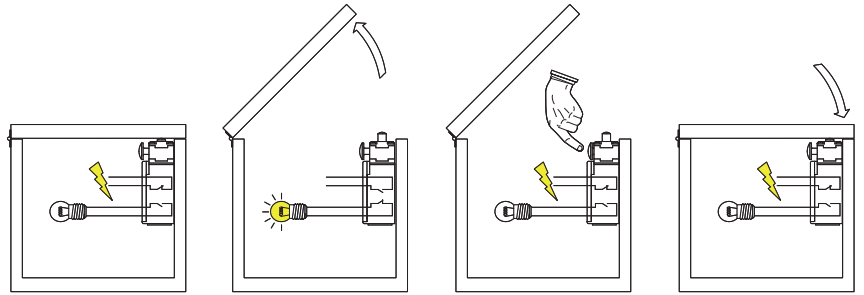
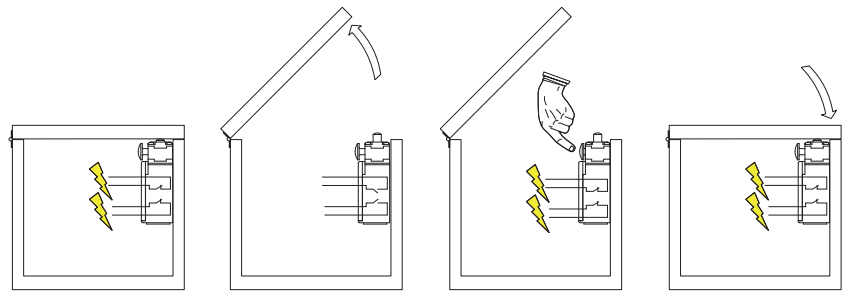


**Switches for switching cabinets - FR 5F1-M2, FR 10F1-M2**

The FR 5F1-M2, FR 10F1-M2 switches are applied on electrical panel doors and are used when opening the door to turn on any signalling devices (e.g. three-phase flashing, etc.). Maintenance personnel of the panel can simulate the closing of the door by pressing the blue button. When maintenance is performed by simply closing the switching cabinet door, the switch functionality will be automatically reset.

Contact type:	
<b>R</b>	= snap action
<b>L</b>	= slow action
Contact block	
5	<b>R</b> FR 5F1-M2 1NO+1NC
10	<b>L</b> FR 10F1-M2 2NO
Max. speed	page 227 - type 4
Actuating force	8 N (25 N $\ominus$ )

All values in the drawings are in mm

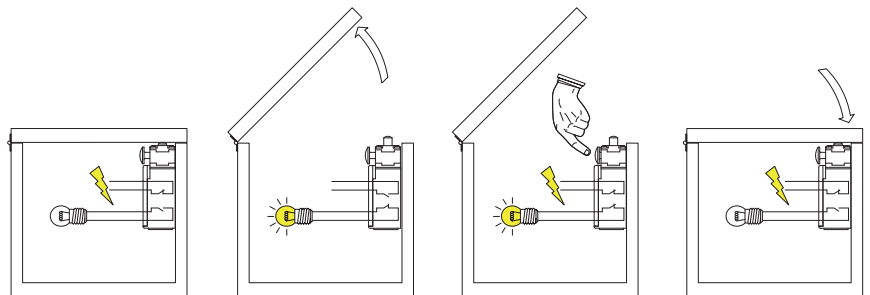
**FR 5F1-M2 operating principle**

**FR 10F1-M2 operating principle**


**⚠ If not expressly indicated in this chapter, for correct installation and utilization of all articles see the instructions given on pages 223 to 236.**

**Switches for switching cabinets - FR 37F1-M2**

The present switch and the one described above have a similar operation principle. Pressing the switch button simulates the closing of the door powering the auxiliary circuit again while still leaving the light on that will only be turned off when the door is closed.

Contact type:	
<b>L</b>	= slow action
Contact block	
37	<b>L</b> FR 37F1-M2 1NO+1NC
Max. speed	page 227 - type 4
Actuating force	8 N (25 N $\ominus$ )

**FR 37F1-M2 operating principle**


**⚠ If not expressly indicated in this chapter, for correct installation and utilization of all articles see the instructions given on pages 223 to 236.**