

Datasheet - MS 064-30Y

Position switch / heavy Position switch / 064 / 064 Plunger S



- Metal enclosure
- 184 mm x 111 mm x 149 mm (basic component)
- 2 cable entries M 25 x 1.5
- 3 or 4 Contacts
- Actuator heads can be repositioned by 4 x 90°

(Minor differences between the printed image and the original product may exist!)

Ordering details


Product type description	MS 064-30Y
Article number	101056928
EAN Code	
eCl@ss	27-27-06-01

Approval

Approval



Global Properties

Permanent light	064 Druckbolzen S
Standards	EN 60947-5-1
Compliance with the Directives (Y/N) 	Yes
Suitable for safety functions (Y/N)	No
Standard housing (Y/N)	No
Materials	
- Material of the housings	cast iron, galvanized
- Material of the contacts	Silver
Housing coating	painted
Weight	3400
Slide form	Sphere

Mechanical data

Design of electrical connection	Screw connection
Cable section	
- Min. Cable section	1.5
- Max. Cable section	4
AWG-Number	11
Active principle	mechanical
Mechanical life	30.000 operations
Switching frequency	max. 1000 /h
notice	All indications about the cable section are including the conductor ferrules.
Design of actuating element	Plunger
Contact opening	2 x 4
Actuating speed with vertical actuating angle to switch axis	
- Min. Actuating speed	0,01 m/s
- Max. Actuating speed	1
- Actuating angle	20

Ambient conditions

Ambient temperature	
- Min. environmental temperature	-30
- Max. environmental temperature	+90
Protection class	IP65 to IEC/EN 60529

Electrical data

Design of control element	Normally open contact (NO)
- with double break	
- galvanically separated contact bridges	
Switching principle	Snap switch element
Number of shutters	3
Number of openers	0
Rated impulse withstand voltage U_{imp}	6 kV
Rated insulation voltage U_i	500 V
Thermal test current I_{the}	25 A
Utilisation category	AC-15: 400 V / 25 A
Max. fuse rating	16 A gL/gG D-fuse

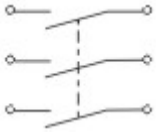
Dimensions

Dimensions of the sensor	
- Width of sensor	156
- Height of sensor	111
- Length of sensor	149
Slide diameter	10




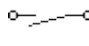

notice

notice	Actuation from the side of the plunger should be avoided, since this reduces the mechanical life of the position switch.
--------	---

Diagram



Note Diagram

-  positive break NC contact
-  active
-  no active
-  Normally-open contact
-  Normally-closed contact

Ordering code

T(1) 064-(2)Y-(3)

<p>(1)</p> <p>S</p> <p>J</p> <p>X</p> <p>(2)</p> <p>03</p> <p>12</p> <p>21</p> <p>30</p> <p>04</p> <p>13</p> <p>22</p> <p>31</p> <p>40</p> <p>(3)</p> <p>UE</p> <p>H</p> <p>R</p>	<p>Plunger S</p> <p>Offset roller lever J</p> <p>Offset roller lever X</p> <p>3 Opener (NC)</p> <p>1 Normally open contact (NO) / 2 Opener (NC)</p> <p>2 Normally open contact (NO) / 1 Opener (NC)</p> <p>3 Normally open contact (NO)</p> <p>4 Opener (NC)</p> <p>1 Normally open contact (NO) / 3 Opener (NC)</p> <p>2 Normally open contact (NO) / 2 Opener (NC)</p> <p>3 Normally open contact (NO) / 1 Opener (NC)</p> <p>4 Normally open contact (NO)</p> <p>Slow action with overlapping contacts</p> <p>Slow action with staggered contacts</p> <p>latching 2x45°</p>
---	--

Documents

Operating instructions and Declaration of conformity (nl) 95 kB, 20.07.2018

Code: mrlk_posi-allgemein_nl

Operating instructions and Declaration of conformity (ru) 133 kB, 09.07.2018

Code: mrlk_posi-allgemein_ru

Operating instructions and Declaration of conformity (es) 88 kB, 09.07.2018

Code: mrlk_posi-allgemein_es

Operating instructions and Declaration of conformity (en) 86 kB, 09.07.2018

Code: mrlk_posi-allgemein_en

Operating instructions and Declaration of conformity (cn) 138 kB, 09.07.2018

Code: mrlk_posi-allgemein_cn

Operating instructions and Declaration of conformity (it) 86 kB, 09.07.2018

Code: mrlk_posi-allgemein_it

Operating instructions and Declaration of conformity (jp) 285 kB, 09.07.2018

Code: mrlk_posi-allgemein_jp

Operating instructions and Declaration of conformity (pl) 118 kB, 09.07.2018

Code: mrlk_posi-allgemein_pl

Operating instructions and Declaration of conformity (fr) 85 kB, 09.07.2018

Code: mrlk_posi-allgemein_fr

Operating instructions and Declaration of conformity (pt) 86 kB, 09.07.2018

Code: mrlk_posi-allgemein_pt

Operating instructions and Declaration of conformity (de) 88 kB, 09.07.2018

Code: mrlk_posi-allgemein_de

Declaration of conformity (en) 86 kB, 19.12.2018

Code: konfi_mrl_tm064_en

Declaration of conformity (de) 88 kB, 04.04.2017

Code: konfi_mrl_tm064_de

CCC certification (en) 1 MB, 24.07.2017

Code: q_355p02

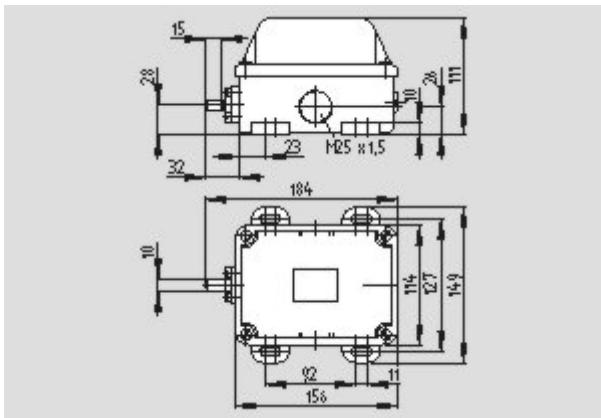
CCC certification (cn) 1 MB, 24.07.2017

Code: q_355p03

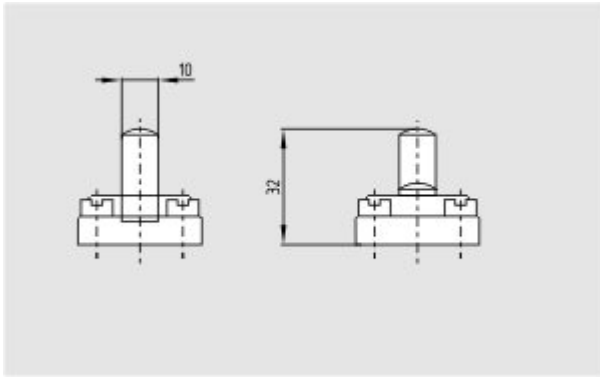
EAC certification (ru) 388 kB, 20.01.2016

Code: q_1527p17_ru

Images



Dimensional drawing (basic component)



Dimensional drawing (miscellaneous)



Operating principle

K.A. Schmersal GmbH & Co. KG, Möddinghofe 30, D-42279 Wuppertal

The data and values have been checked thoroughly. Technical modifications and errors excepted.

Generiert am 13.02.2019 - 13:30:31h Kasbase 3.3.0.F.64I