

Datasheet - AZ 3350-03ZK-U90

Safety switch with separate actuator / AZ 3350



- Metal enclosure
- Latching handle
- Long life
- 40,5 mm x 114 mm x 38 mm
- High level of contact reliability with low voltages and currents
- 1 Cable entry M 20 x 1.5
- Actuating head rotated by 90°

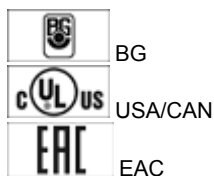
(Minor differences between the printed image and the original product may exist!)

Ordering details

Product type description	AZ 3350-03ZK-U90
Article number	101177387
EAN Code	4030661308241
To order, first choose the desired safety switch and then the door handle system	
eCI@ss	27-27-26-02

Approval

Approval



Classification

Standards	EN ISO 13849-1
B10d Normally-closed contact (NC)	2.000.000
Mission time	20 Years
notice	$MTTF_d = \frac{B_{10d}}{0,1 \times n_{op}}$ $n_{op} = \frac{d_{ap} \times h_{cp} \times 3600 \text{ s/h}}{t_{cycle}}$

Global Properties

Permanent light	AZ 3350
Standards	EN 60947-5-1, BG-GS-ET-15, EN 1088
Materials	
- Material of the housings	Aluminium
- Material of the contacts	Silver
Housing coating	painted
Weight	230
Recommended combinations	AZ 3350-ST30-02, AZ 3350-ST30-04, AZ 3350-ST30-05, AZ 3350-ST30-07

Mechanical data

Design of electrical connection	Screw connection
Cable section	
- Min. Cable section	0,75
- Max. Cable section	2.5
Mechanical life	1.000.000 operations
notice	All indications about the cable section are including the conductor ferrules.
higher Latching force (Y/N)	No
Shearing force	15.000 N
Positive break force	5 N for each NC contact fitted
positive break travel	10.7 mm
Door hinge	left

Ambient conditions

Ambient temperature	
- Min. environmental temperature	-30 °C
- Max. environmental temperature	+90 °C
Protection class	IP67 to IEC/EN 60529

Electrical data

Design of control element	Opener (NC)
Switching principle	Creep circuit element
Number of auxiliary contacts	0
Number of safety contacts	3
Rated impulse withstand voltage U_{imp}	4 kV
Rated insulation voltage U_i	250 V
Thermal test current I_{the}	10 A
Utilisation category	AC-15: 230 V / 4 A, DC-13: 24 V / 4 A
Max. fuse rating	6 A gG D-fuse

ATEX

Explosion protection categories for gases	None
Explosion protected category for dusts	None

Dimensions

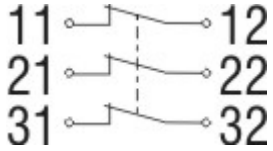
Dimensions of the sensor	
- Width of sensor	40.5 mm

- Height of sensor	114 mm
- Length of sensor	38 mm

Included in delivery

Mounting plate for safety switch
 Actuator incl. mounting plate
 emergency handle

Diagram



Note Diagram

- positive break NC contact
- active
- no active
- Normally-open contact
- Normally-closed contact

Ordering suffix

The applicable ordering suffix is added at the end of the part number of the safety switch.
 Order example: AZ 3350-03ZK-U90-**1637**

....-**1637** 0,3 µm gold-plated contacts

Ordering code

AZ 3350-(1)-(2)-(3)

(1)

03ZK

3 Opener (NC)

12ZUEK

1 Normally open contact (NO) / 2 Opener (NC)

(2)

1637

gold-plated contacts

(3)

U90

Actuating head rotated by 90° for Door hinge left

U270

Actuating head rotated by 270° for Door hinge right

Documents

Operating instructions and Declaration of conformity (cs) 398 kB, 12.09.2014

Code: mrl_az3350_cs

Operating instructions and Declaration of conformity (pl) 409 kB, 20.04.2016

Code: mrl_az3350_pl

Operating instructions and Declaration of conformity (it) 357 kB, 22.04.2016

Code: mrl_az3350_it

Operating instructions and Declaration of conformity (nl) 392 kB, 30.07.2018

Code: mrl_az3350_nl

Operating instructions and Declaration of conformity (jp) 170 kB, 12.05.2017

Code: mrl_az3350_jp

Operating instructions and Declaration of conformity (es) 376 kB, 22.06.2016

Code: mrl_az3350_es

Operating instructions and Declaration of conformity (da) 389 kB, 26.01.2012

Code: mrl_az3350_da

Operating instructions and Declaration of conformity (fr) 378 kB, 20.07.2016

Code: mrl_az3350_fr

Operating instructions and Declaration of conformity (de) 361 kB, 07.04.2016

Code: mrl_az3350_de

Operating instructions and Declaration of conformity (en) 376 kB, 07.04.2016

Code: mrl_az3350_en

Operating instructions and Declaration of conformity (sv) 386 kB, 22.05.2012

Code: mrl_az3350_sv

Operating instructions and Declaration of conformity (pt) 379 kB, 03.01.2017

Code: mrl_az3350_pt

BG-test certificate (en) 130 kB, 12.01.2015

Code: z_az3p02

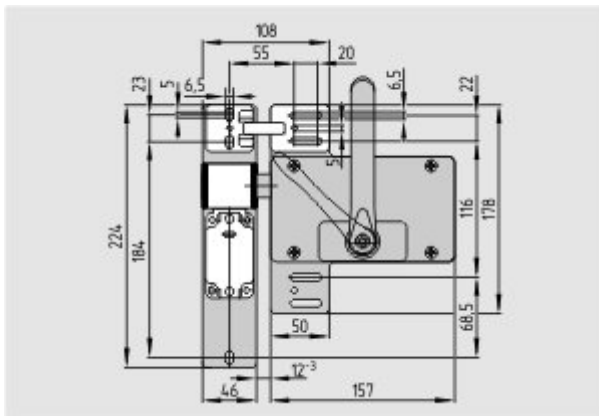
BG-test certificate (de) 131 kB, 12.01.2015

Code: z_az3p01

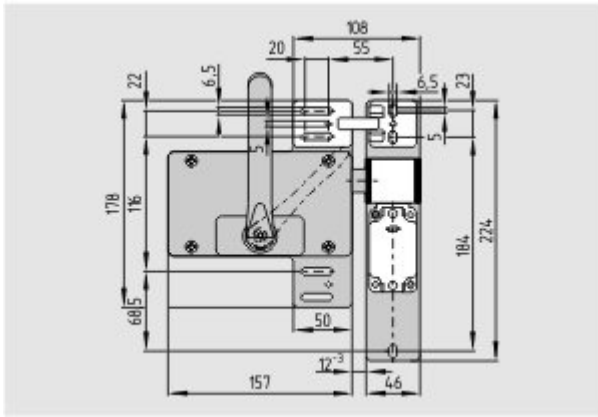
EAC certification (ru) 844 kB, 05.10.2015

Code: q_6037p17_ru

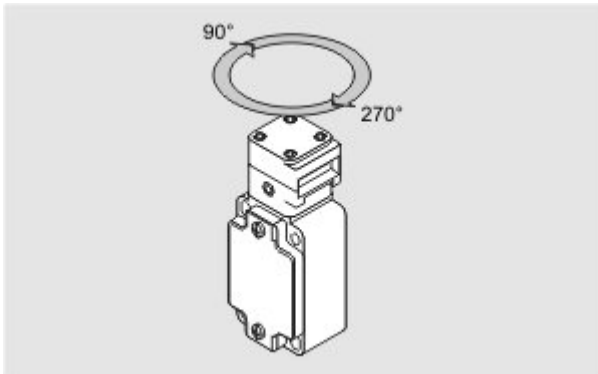
Images



Dimensional drawing (miscellaneous)



Dimensional drawing (miscellaneous)



Application

System components

Accessories



Lockout tag SZ 415

- Suitable for mounting inside and outside of the hazardous area
- To prevent inadvertent closing, e.g. during maintenance
- For complex plant
- Prevents actuation of the switch
- Lockout tag with 3 circular holes



Centring device

- Pre-positioning
- The actuator is independent from the centring device.
- Smooth insertion or retraction of the actuator

K.A. Schmersal GmbH & Co. KG, Mödinghofe 30, D-42279 Wuppertal

The data and values have been checked thoroughly. Technical modifications and errors excepted.

Generiert am 13.02.2019 - 14:38:39h Kasbase 3.3.0.F.64I