

## Datasheet - SET SL 300-0300

Safety-related tactile sensor / Safety flaps / SL 300



- Robust design
- 2 Contacts
- Can be mounted on existing glue-spreading machines, veneering presses, etc.
- Various lengths available

(Minor differences between the printed image and the original product may exist!)

### Ordering details

|                          |  |
|--------------------------|--|
| Product type description | SET SL 300-0300  |
| Article number           | 101095771  |
| EAN Code                 | 4030661061115  |
| notice                   | The position switch with safety function is not included in delivery.<br>The following alternatives are available:<br>1 Normally open contact (NO) / 1 Opener (NC)<br><b>T3K 335-11Z-U90</b> - Metal enclosure<br><b>T3K 336-11Z-U90</b> - Thermoplastic enclosure |
| eCl@ss                   |  |

### Global Properties

|                                 |                        |
|---------------------------------|------------------------|
| Permanent light                 | SL 300                 |
| Standards                       | EN 60947-5-1           |
| Materials                       |                        |
| - Material of the profile strip | Aluminium              |
| - Material of the side plates   | Aluminium              |
| - Material of the latching      | Plastic, thermoplastic |
| Weight                          | 2015                   |

### Ambient conditions

|  |     |
|--|-----|
| Ambient temperature                      |     |
| - Min. environmental temperature         | -20 |
| - Max. environmental temperature         | +55 |
| Storage and transport temperature        |     |
| - Min. Storage and transport temperature | -20 |
| - Max. Storage and transport temperature | +70 |

Protection class

IP67 to IEC/EN 60529

## Electrical data

---

Design of control element

see switch description

Switching principle

see switch description

## Dimensions

---

Dimensions

|               |        |
|---------------|--------|
| - Width       | 100 mm |
| - Height      | 260 mm |
| - Length (L1) | 300 mm |

## Included in delivery

---

Supporting profile

Flap profile

Latching

Side plates

Mounting accessories

## Keywords

---

Keywords

Safety flaps T3K 335-11Z-U90 T3K 336-11Z-U90

## Indication legend

---

|    |  |
|----|--|
| 1  | Supporting profile   |
| 2  | Flap profile   |
| 3  | Groove   |
| 4  | Washer   |
| 5  | Latching   |
| 6  | Pin Ø 5 mm   |
| 7  | Position switches with safety function ( <b>T3K 335-11Z-U90, T3K 336-11Z-U90</b> ) |
| L1 | Length Aluminium profile section   |

## Documents

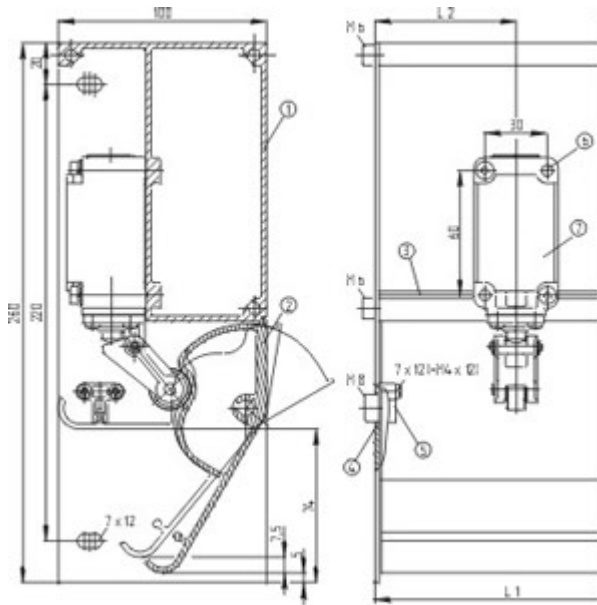
---

**Mounting and wiring instructions** (de, en, fr) 48 kB, 30.01.2018

Code: m\_l30p01

## Images

---



Dimensional drawing (basic component)

## System components

### Product



#### 101171823 - T3K 336-11Z-U90

- Design to EN 50041
- Actuation from bottom parallel to the switch, therefore only suitable for small housings.
- Thermoplastic enclosure
- Double-insulated
- Good resistance to oil and petroleum spirit
- Wide range of alternative actuators
- Actuator heads can be repositioned by 4 x 90°
- 1 Cable entry M 20 x 1.5
- Actuating head rotated by 90°



#### 101091759 - T3K 335-11Z-U90

- Metal enclosure
- Wide range of alternative actuators
- Good resistance to oil and petroleum spirit
- 40,5 mm x 76 mm x 38 mm
- Actuator heads can be repositioned by 4 x 90°
- 1 Cable entry M 20 x 1.5
- Actuating head rotated by 90°
- Design to EN 50041
- Actuation from bottom parallel to the switch, therefore only suitable for small housings.

K.A. Schmersal GmbH & Co. KG, Möddinghofe 30, D-42279 Wuppertal

The data and values have been checked thoroughly. Technical modifications and errors excepted.

Generiert am 13.02.2019 - 14:41:04h Kasbase 3.3.0.F.64I