

Datasheet - IFL 20-400-10/01

Inductive proximity switch / Housing construction form: cylinder smooth / IFL Ø 40 mm



Preferred typ



- Design Ø 40 mm
- 1 Cable entry M 16 x 1.5
- Thermoplastic enclosure
- AC 2-wire
- Double-insulated

(Minor differences between the printed image and the original product may exist!)

Ordering details

Product type description	IFL 20-400-10/01
Article number	101056640
EAN Code	4030661020594
eCl@ss	27-27-01-01


Approval

Approval



CCC

Global Properties

Permanent light	IFL - Ø 40
Standards	IEC/EN 60947-5-2; DIN VDE 0660-208
Compliance with the Directives (Y/N) 	Yes
Operating resource protection class	Protection class 2
Materials	
- Material of the housings	Plastic
- Material of the active surface	Plastic
- Material of the terminal fixing	Plastic
Housing construction form	cylinder smooth
Weight	195

Mechanical data

Design of electrical connection	Screw connection
Conductor with strain relief	No
Cable section	
- Min. Cable section	
- Max. Cable section	2 x 1.5
mechanical installation conditions	not flush
Switch distance S_n	20 mm
Reduction factor 1 met (Y/N)	No
Protection circuit	inductive interference protection
Pressure resistant (Y/N)	No
• Wiring compartment	

Ambient conditions

Ambient temperature	
- Min. environmental temperature	-25
- Max. environmental temperature	+70
Protection type IP	IP65

Electrical data

Design of control element	Normally open contact (NO) or Opener (NC)
Number of wire	2
Voltage type	AC, alternating current
Supply voltage U_B	
- Min. supply voltage	15
- Max. supply voltage	250
Rated supply frequency	45 ... 65
Switch frequency	approx. 10 HZ
Voltage drop U_d	approx. 4.5 V (250 V / 200 mA)
Rated impulse withstand voltage U_{imp}	4 kV
Residual current I_r	1 mA
Minimum operating current I_m	10 mA
Operating current I_e	500 mA

Outputs

Design of control output	Two-wire
--------------------------	----------

LED switching conditions display

LED switching conditions display (Y/N)	Yes
- yellow LED	

ATEX

Explosion protection categories for gases	None
Explosion protected category for dusts	None

Dimensions

Dimensions of the sensor

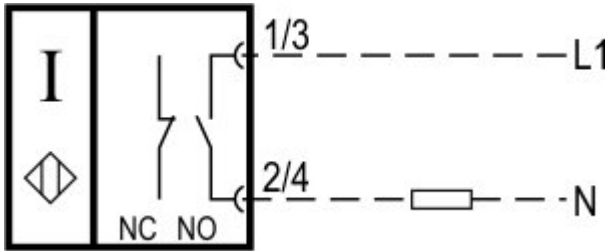
- Width of sensor	40
- Height of sensor	57
- Length of sensor	108
- Diameter of sensor	40 mm

notice

Clamp H 40 is included in delivery

Programmable by repositioning the plug-in jumper at the terminal screws

Diagram



Note Diagram

- positive break NC contact
- active
- no active
- Normally-open contact
- Normally-closed contact

Ordering suffix

The applicable ordering suffix is added at the end of the part number of the safety switch.

Order example: IFL 20-400-10/01-**1522**

....**1522**

Operating current I_e : max. 150 mA
Voltage drop U_d : approx. 7.5 V (150 mA)

Ordering code

IFL (1)-(2)-(3)(4)(5)

(1)

20

Switch distance 20 mm

(2)

400

cylinder smooth, Ø 40 mm, Plastic

(3)

01

Opener (NC)

10

Normally open contact (NO)

10/01

Normally open contact (NO) / Opener (NC) with Wiring compartment

11

Normally open contact (NO) / Opener (NC) antivalent

(4)

without

Cable

T

Conductor with strain relief

(5)

N
P

n-type
p-type

Documents

Operating instructions (nl) 134 kB, 01.08.2018

Code: mrl_ifl-allgemein_nl

Operating instructions (en) 128 kB, 31.08.2016

Code: mrl_ifl-allgemein_en

Operating instructions (pl) 137 kB, 21.10.2016

Code: mrl_ifl-allgemein_pl

Operating instructions (pt) 109 kB, 06.04.2017

Code: mrl_ifl-allgemein_pt

Operating instructions (it) 108 kB, 21.10.2016

Code: mrl_ifl-allgemein_it

Operating instructions (es) 110 kB, 21.10.2016

Code: mrl_ifl-allgemein_es

Operating instructions (cn) 177 kB, 05.05.2017

Code: mrl_ifl-allgemein_cn

Operating instructions (de) 131 kB, 31.08.2016

Code: mrl_ifl-allgemein_de

Operating instructions (fr) 110 kB, 21.10.2016

Code: mrl_ifl-allgemein_fr

Declaration of conformity (en) 91 kB, 13.04.2017

Code: konfi_ifl_en

Declaration of conformity (de) 96 kB, 01.07.2016

Code: konfi_ifl_de

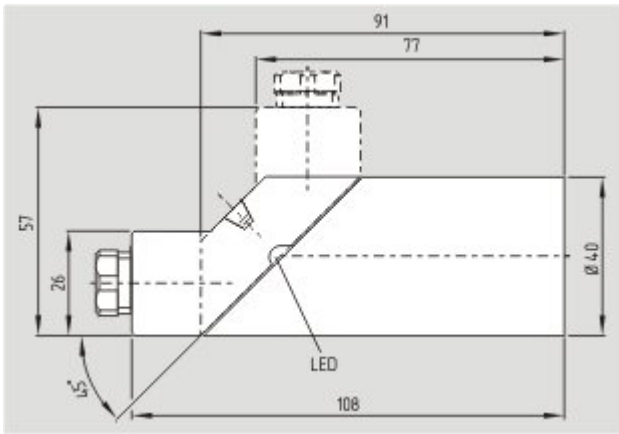
CCC certification (cn) 3 MB, 11.07.2018

Code: q_iflp03

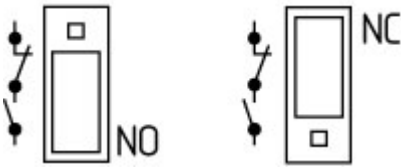
CCC certification (en) 3 MB, 11.07.2018

Code: q_iflp02

Images



Dimensional drawing (basic component)



Operating principle

System components

Mounting accessories



101068521 - MOUNTING CLAMP H 40

- For a smooth fitting of the proximity switches with cylindric shape Ø 40 mm

K.A. Schmersal GmbH & Co. KG, Möddinghofe 30, D-42279 Wuppertal

The data and values have been checked thoroughly. Technical modifications and errors excepted.

Generiert am 13.02.2019 - 13:06:36h Kasbase 3.3.0.F.64I