

## Datasheet - NMLRT

Command and signalling devices / Push buttons and pilot lights - "N" Program / NML - Illuminated signal



- flat dome
- for Ba9S LED's

(Minor differences between the printed image and the original product may exist!)

### Ordering details

Product type description	NMLRT
Article number	101174522
EAN Code	4250116201419
eCl@ss	27-37-12-11

### Approval

Approval



### Global Properties

Permanent light	NML - Illuminated signal
Standards	IEC/EN 60947-1, EN 60947-5-1
Compliance with the Directives (Y/N)	Yes
Suitable for safety functions (Y/N)	No
Mounting	mounting flange ELM
Mounting position	arbitrarily
Materials	
- Material of the dome	PA (12)
- Material of the front ring	ABS, Chromium-plated
Design	LED - Illuminated signal - Front plate mounting
Form	round, flat dome

Color	
- Colour of the dome	■ red
- Colour of the front ring	■ Silver
Weight	30
Can be illuminated (Y/N)	Yes

## Mechanical data

---

mounting flange available (Y/N)	Yes
Front plate thickness	
- min. front plate thickness	1.5
- max. front plate thickness	6
Tightening torque for fixing screws	0,6

## Ambient conditions

---

Ambient temperature	
- Min. environmental temperature	-25
- Max. environmental temperature	+80
Storage and transport temperature	
- Min. Storage and transport temperature	-
- Max. Storage and transport temperature	-
Fully insulated (Y/N)	Yes
Sealing type	membrane, lip seal, Form seals
Protection type IP	IP67, IP69K

## LED switching conditions display

---

With integrated LED (Y/N)	No
- for 24 VAC/DC	

## Dimensions

---

Dimensions	
- Height	
- Diameter total Ø	44.5 mm
Height of the dome	2
Diameter of the dome	26
Hole, diameter	22.3 + 0,4
Spacing	50 x 50

## Documents

---

### Operating instructions and Declaration of conformity (it) 2 MB, 14.06.2017

Code: mrl\_programme-e-n-r\_it

### Operating instructions and Declaration of conformity (en) 1 MB, 06.11.2018

Code: mrl\_programme-e-n-r\_en

### Operating instructions and Declaration of conformity (pl) 2 MB, 12.10.2017

Code: mrl\_programme-e-n-r\_pl

### Operating instructions and Declaration of conformity (jp) 2 MB, 28.06.2017

Code: mrl\_programme-e-n-r\_jp

**Operating instructions and Declaration of conformity** (pt) 2 MB, 31.05.2017

Code: mrl\_programme-e-n-r\_pt

**Operating instructions and Declaration of conformity** (de) 1 MB, 06.11.2018

Code: mrl\_programme-e-n-r\_de

**Operating instructions and Declaration of conformity** (es) 1 MB, 05.12.2018

Code: mrl\_programme-e-n-r\_es

**Operating instructions and Declaration of conformity** (nl) 1 MB, 05.12.2018

Code: mrl\_programme-e-n-r\_nl

**Operating instructions and Declaration of conformity** (fr) 1 MB, 05.12.2018

Code: mrl\_programme-e-n-r\_fr

**Operating instructions and Declaration of conformity** (cn) 2 MB, 21.06.2017

Code: mrl\_programme-e-n-r\_cn

**BG-test certificate** (de, en, fr) 174 kB, 31.07.2014

Code: z\_ndrp01

**IPA Data** (en) 248 kB, 09.11.2012

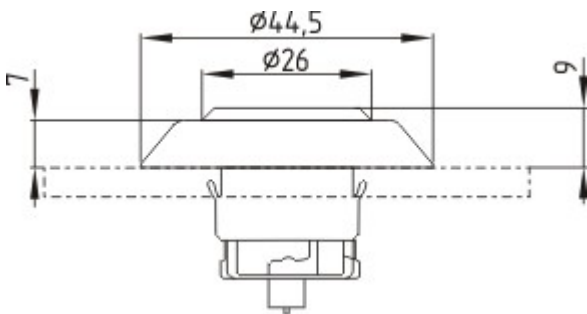
Code: i\_ipap02

**IPA Data** (de) 255 kB, 05.09.2014

Code: i\_ipap01

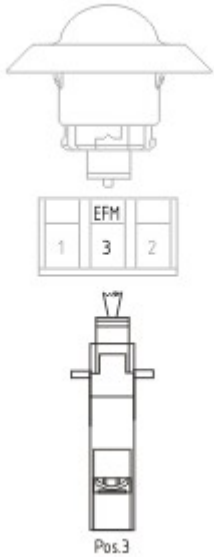
## Images

---



Dimensional drawing (basic component)

---



Application

---

## System components

---

### Light terminal block



#### 101167385 - ELDEKWS24

- Cage clamps
  - Mounting flange position 3
  - white LED
  - 24 VAC/DC
- 



#### 101167381 - ELDEKRT24

- Cage clamps
  - Mounting flange position 3
  - red LED
  - 24 VAC/DC
- 



#### 101006534 - ELE230

- not suitable for operation with filament lamp or glow lamp
- 



#### 101006532 - ELE48

- not suitable for operation with filament lamp or glow lamp
- 

#### 101006529 - ELE

- Print with LED symbol



---

**101167368 - ELEK**

• Print with LED symbol

---

K.A. Schmersal GmbH & Co. KG, Möddinghofe 30, D-42279 Wuppertal

The data and values have been checked thoroughly. Technical modifications and errors excepted.

Generiert am 13.02.2019 - 12:55:15h Kasbase 3.3.0.F.64l