

## Datasheet - BN 75-10Y

Magnetic reed switch / BN 75



- with connector
- Non-contact principle
- 1 Reed kontakts
- Long life
- 80 mm x 99,5 mm x 55 mm
- Float switch
- Thermoplastic enclosure
- Available with M12 plug-in connector and pre-wired cable

(Minor differences between the printed image and the original product may exist!)

### Ordering details

Product type description	BN 75-10Y
Article number	101055743
EAN Code	4030661009414
eCl@ss	27-27-01-04

### Approval

Approval	-
----------	---

### Global Properties

Permanent light	BN 75
Standards	-
Compliance with the Directives (Y/N) 	Yes
Active principle	Magnetic drive
Materials	
- Material of the housings	Plastic, glass-fibre reinforced thermoplastic
- Material of the active surface	Plastic
Housing construction form	Special construction
Weight	74

### Mechanical data

Design of electrical connection	connector
Mechanical life	1.000.000.000 operations
Electrical lifetime	1.000.000 ... 1.000.000.000 operations
hysteresis	3 mm
Type of actuation	Magnet
restistance to shock	-
Bounce duration	0,3 ... 0,6
Latching (Y/N)	No
bias magnet (Y/N)	No

### Ambient conditions

---

Ambient temperature	
- Min. environmental temperature	-25
- Max. environmental temperature	+80
Protection class	IP65

### Electrical data

---

Design of control element	Normally open contact (NO)
Number of shutters	1
Number of openers	0
Voltage type	
Dielectric strength	> 600 (50 )
Switching voltage	220
Switching current	1 A
Switching capacity	60 /

### Outputs

---

Design of control output	Reed kontakts
--------------------------	---------------

### LED switching conditions display

---

LED switching conditions display (Y/N)	No
----------------------------------------	----

### ATEX

---

Explosion protection categories for gases	None
Explosion protected category for dusts	None

### Dimensions

---

Dimensions of the sensor	
- Width of sensor	80
- Height of sensor	99.5
- Length of sensor	55

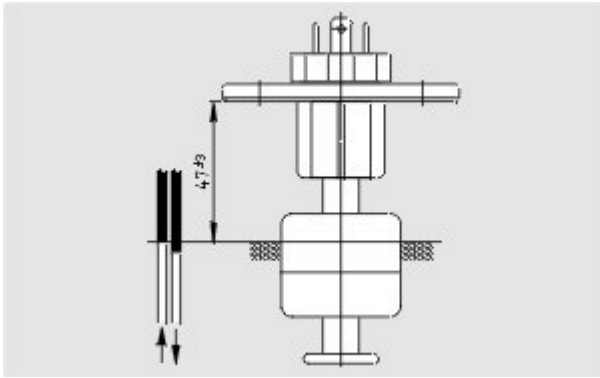
### notice

---




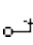

Depending on how the floater is assembled, either a NO contact or a NC contact is possible.  
The indicated switching points are applicable for water

## Diagram

---



Note Diagram

-  positive break NC contact
-  active
-  no active
-  Normally-open contact
-  Normally-closed contact

## Documents

---

**Declaration of conformity** (en) 186 kB, 12.07.2018

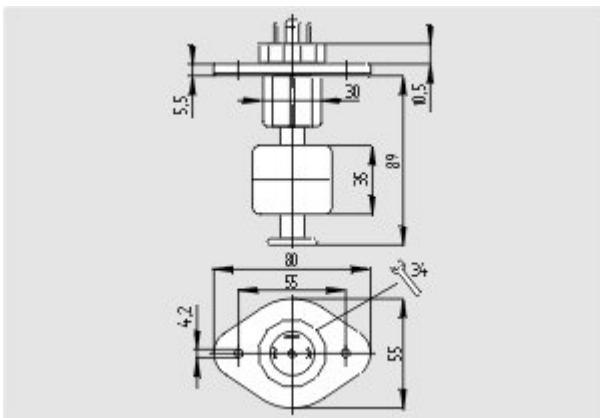
Code: \_\_bn\_p01\_en

**Declaration of conformity** (de) 102 kB, 08.06.2016

Code: \_\_bn\_p01

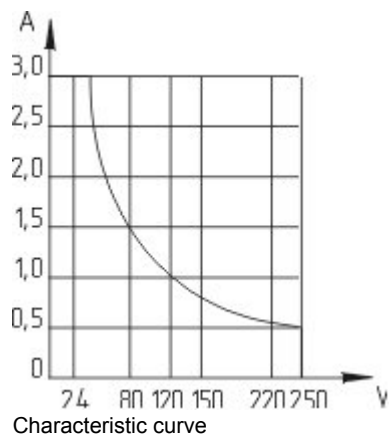
## Images

---



Dimensional drawing (basic component)

---



---

K.A. Schmersal GmbH & Co. KG, Möddinghofe 30, D-42279 Wuppertal

The data and values have been checked thoroughly. Technical modifications and errors excepted.

Generiert am 13.02.2019 - 13:12:36h Kasbase 3.3.0.F.64I