

Datasheet - EX-BPS 250-3G/D

Safety sensors / EX-BNS 250 / Actuator



(Minor differences between the printed image and the original product may exist!)

Ordering details

Product type description	EX-BPS 250-3G/D
Article number	101183235
EAN Code	4030661332703
eCl@ss	27-27-92-17

Global Properties

Permanent light	Magnet
Standards	EEx nA T6 X , Ex tD A22 IP67 T80°C X
Materials	
- Material of the housings	Plastic
Weight	15

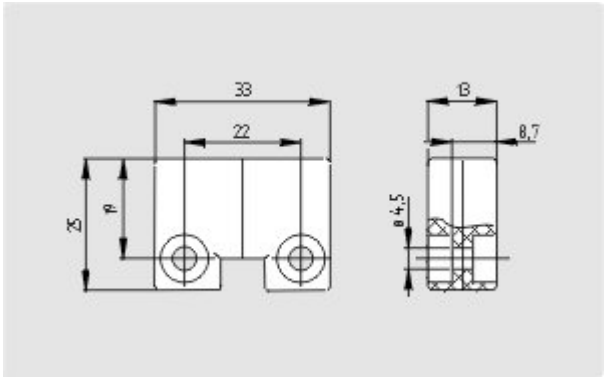
Dimensions

Dimensions of the actuators	
- Width of the actuator	33
- Height of the actuator	25
- Length of the actuator	13

Included in delivery

tamperproof screws	2 piece
--------------------	---------

Images



Dimensional drawing (miscellaneous)

K.A. Schmersal GmbH & Co. KG, Möddinghofe 30, D-42279 Wuppertal
The data and values have been checked thoroughly. Technical modifications and errors excepted.
Generiert am 13.02.2019 - 14:29:01h Kasbase 3.3.0.F.64I