

## Datasheet - TS 064-40Y

Position switch / heavy Position switch / 064 / 064 Plunger S



- Metal enclosure
- 184 mm x 111 mm x 149 mm (basic component)
- 2 cable entries M 25 x 1.5
- 3 or 4 Contacts
- Actuator heads can be repositioned by 4 x 90°

(Minor differences between the printed image and the original product may exist!)

### Ordering details


Product type description	TS 064-40Y
Article number	101057495
EAN Code	
eCl@ss	27-27-06-01

### Approval

Approval



### Global Properties

Permanent light	064 Druckbolzen S
Standards	EN 60947-5-1
Compliance with the Directives (Y/N) 	Yes
Suitable for safety functions (Y/N)	No
Standard housing (Y/N)	No
Materials	
- Material of the housings	cast iron, galvanized
- Material of the contacts	Silver
Housing coating	painted
Weight	3550
Slide form	Sphere

### Mechanical data

---

Design of electrical connection	Screw connection
Cable section	
- Min. Cable section	1.5
- Max. Cable section	4
AWG-Number	11
Active principle	mechanical
Mechanical life	1.000.000 operations
Switching frequency	max. 1000 /h
notice	All indications about the cable section are including the conductor ferrules.
Design of actuating element	Plunger
Contact opening	2 x 4
Actuating speed with vertical actuating angle to switch axis	
- Min. Actuating speed	0,01 m/s
- Max. Actuating speed	1
- Actuating angle	20

### Ambient conditions

---

Ambient temperature	
- Min. environmental temperature	-30
- Max. environmental temperature	+90
Protection class	IP65 to IEC/EN 60529

### Electrical data

---

Design of control element	Normally open contact (NO)
- with double break	
Switching principle	Creep circuit element
Number of shutters	4
Number of openers	0
Rated impulse withstand voltage $U_{imp}$	6 kV
Rated insulation voltage $U_i$	500 V
Thermal test current $I_{the}$	25 A
Utilisation category	AC-15: 400 V / 25 A
Max. fuse rating	16 A gL/gG D-fuse

### Dimensions

---

Dimensions of the sensor	
- Width of sensor	156
- Height of sensor	111
- Length of sensor	149
Slide diameter	10

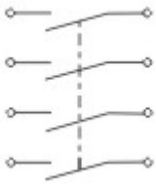
### notice

---




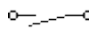
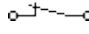
notice	<b>Actuation from the side of the plunger should be avoided, since this reduces the mechanical life of the position switch.</b>
--------	---

### Diagram

---



Note Diagram

-  positive break NC contact
-  active
-  no active
-  Normally-open contact
-  Normally-closed contact

## Ordering suffix

---

The applicable ordering suffix is added at the end of the part number of the safety switch.

Order example: TS 064-40Y- H

...- H Slow action with staggered contacts

## Ordering code

---

T(1) 064-(2)Y-(3)

<p>(1)</p> <p>S</p> <p>J</p> <p>X</p> <p>(2)</p> <p>03</p> <p>12</p> <p>21</p> <p>30</p> <p>04</p> <p>13</p> <p>22</p> <p>31</p> <p>40</p> <p>(3)</p> <p>UE</p> <p>H</p> <p>R</p>	<p>Plunger S</p> <p>Offset roller lever J</p> <p>Offset roller lever X</p> <p>3 Opener (NC)</p> <p>1 Normally open contact (NO) / 2 Opener (NC)</p> <p>2 Normally open contact (NO) / 1 Opener (NC)</p> <p>3 Normally open contact (NO)</p> <p>4 Opener (NC)</p> <p>1 Normally open contact (NO) / 3 Opener (NC)</p> <p>2 Normally open contact (NO) / 2 Opener (NC)</p> <p>3 Normally open contact (NO) / 1 Opener (NC)</p> <p>4 Normally open contact (NO)</p> <p>Slow action with overlapping contacts</p> <p>Slow action with staggered contacts</p> <p>latching 2x45°</p>
---	--

## Documents

---

**Operating instructions and Declaration of conformity (nl)** 95 kB, 20.07.2018

Code: mrlk\_posi-allgemein\_nl

**Operating instructions and Declaration of conformity (ru)** 133 kB, 09.07.2018

Code: mrlk\_posi-allgemein\_ru

**Operating instructions and Declaration of conformity (es)** 88 kB, 09.07.2018

Code: mrlk\_posi-allgemein\_es

**Operating instructions and Declaration of conformity** (en) 86 kB, 09.07.2018

Code: mrlk\_posi-allgemein\_en

**Operating instructions and Declaration of conformity** (cn) 138 kB, 09.07.2018

Code: mrlk\_posi-allgemein\_cn

**Operating instructions and Declaration of conformity** (it) 86 kB, 09.07.2018

Code: mrlk\_posi-allgemein\_it

**Operating instructions and Declaration of conformity** (jp) 285 kB, 09.07.2018

Code: mrlk\_posi-allgemein\_jp

**Operating instructions and Declaration of conformity** (pl) 118 kB, 09.07.2018

Code: mrlk\_posi-allgemein\_pl

**Operating instructions and Declaration of conformity** (fr) 85 kB, 09.07.2018

Code: mrlk\_posi-allgemein\_fr

**Operating instructions and Declaration of conformity** (pt) 86 kB, 09.07.2018

Code: mrlk\_posi-allgemein\_pt

**Operating instructions and Declaration of conformity** (de) 88 kB, 09.07.2018

Code: mrlk\_posi-allgemein\_de

**Declaration of conformity** (en) 86 kB, 19.12.2018

Code: konfi\_mrl\_tm064\_en

**Declaration of conformity** (de) 88 kB, 04.04.2017

Code: konfi\_mrl\_tm064\_de

**CCC certification** (en) 1 MB, 24.07.2017

Code: q\_355p02

**CCC certification** (cn) 1 MB, 24.07.2017

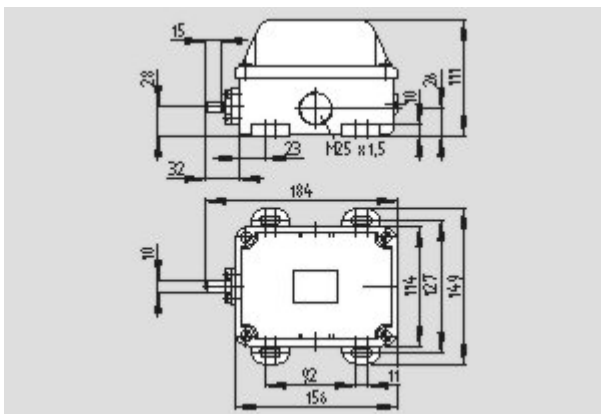
Code: q\_355p03

**EAC certification** (ru) 388 kB, 20.01.2016

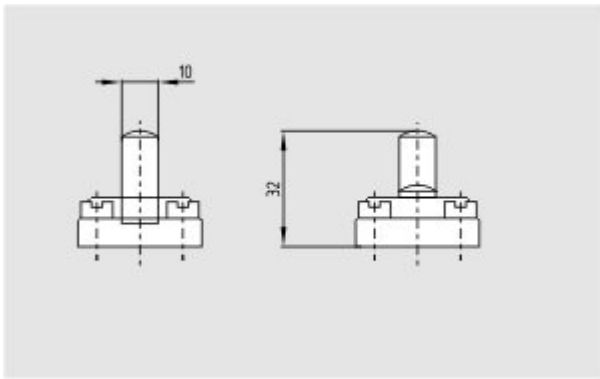
Code: q\_1527p17\_ru

## Images

---



Dimensional drawing (basic component)



Dimensional drawing (miscellaneous)



Operating principle