

Datasheet - AV 20LB2X20U

Door locking devices / AV 20



(Minor differences between the printed image and the original product may exist!)

- left-hand model
- for 1-leaf doors
- Fail-safe locking system
- Thermoplastic enclosure
- authorised for use in passenger elevators
- Manual release by means of M5 triangular key

Ordering details


Product type description	AV 20LB2X20U
Article number	101196185
EAN Code	4030661364155
eCl@ss	27-27-26-03

Approval

Approval



Global Properties

Permanent light	AV 20
Standards	EN 81-20, EN 81-50
Compliance with the Directives (Y/N) 	Yes
Suitable for safety functions (Y/N)	Yes
Mounting	rear-side mounting holes
Number of door leaves	1
Materials	
- Material of the housings	glass-fibre reinforced thermoplastic, self-extinguishing
- Material of the contacts	Silver
- Locking bolt material	Brass
Weight	877
Latching bolt bevelling	45 bottom

Mechanical data

Cable entry	without cable gland
Design of actuating element	Roller lever H65 and bearing block B2
Orientation / Alignment	left-hand model
With fail-safe locking system (Y/N)	Yes
Manual release (Y/N)	Yes

Permanent magnet

Ceramic oxide magnet with high coercive field strength

Ambient conditions

Ambient temperature

- Min. environmental temperature -15
- Max. environmental temperature +70

Protection class IP54

Electrical data

Design of control element Opener (NC), Normally open contact (NO)

Switching principle Slow action

- positive break NC contact 

Number of auxiliary contacts 1

Number of safety contacts 1

Rated impulse withstand voltage 6

Rated insulation voltage 500

Thermal test current 10 A

Utilisation category AC-15: 230 V / 2 A,
DC-13: 200 V / 2 A

Max. fuse rating 6 A (slow blow)

Dimensions

Dimensions

- Width 165
- Height 80
- Depth 37

Dimensions of the latching bolt

- Diameter of the latching bolt 18
- X-dimension of the latching bolt 20

notice

X-dimension of the latching bolt:

The overall latching bolt length is the result of the prescribed insertion depth of the latching bolt into the door leaf of 21 mm and the X-dimension. The X-dimension is the distance between the enclosure bottom of the door locking and the door top.

Accessories

notice Manual release using triangular key M5 available as accessory

Ordering suffix

The applicable ordering suffix is added at the end of the part number of the safety switch.

Order example: AV 20LB2X20U-**GB215**

...-**GB215** additional front-side M8 mounting holes

Ordering code

AV 20(1)(2)(3)(4)(5)(6)(7)

(1)		
L		left-hand model
R		right-hand model
(2)		
<i>without</i>		
H		Roller H65
H92		Roller H92
H105		Roller H105
B		Bearing block B
B2		Bearing block B2
(3)		
<i>without</i>		without cable gland
E4		cable gland M20
E1		Cable entry
(4)		
X...		= 11, 5, 20, 30, 40, 45 mm
(5)		
U		45° bottom
D		45° cover-side
R		45° right
L		45 ° left
(6)		
2509		using triangular key aus Metal film
(7)		
<i>without</i>		
GB215		

Documents

Operating instructions and Declaration of conformity (nl) 435 kB, 26.06.2018

Code: mrl_av15_nl

Operating instructions and Declaration of conformity (pt) 419 kB, 08.03.2017

Code: mrl_av15_pt

Operating instructions and Declaration of conformity (pl) 433 kB, 17.02.2017

Code: mrl_av15_pl

Operating instructions and Declaration of conformity (de) 404 kB, 06.12.2016

Code: mrl_av15_de

Operating instructions and Declaration of conformity (es) 418 kB, 12.01.2017

Code: mrl_av15_es

Operating instructions and Declaration of conformity (cn) 501 kB, 11.05.2017

Code: mrl_av15_cn

Operating instructions and Declaration of conformity (en) 616 kB, 18.10.2016

Code: mrl_av15_en

Operating instructions and Declaration of conformity (it) 418 kB, 12.01.2017

Code: mrl_av15_it

Operating instructions and Declaration of conformity (fr) 422 kB, 12.01.2017

Code: mrl_av15_fr

Operating instructions and Declaration of conformity (jp) 506 kB, 22.08.2017

Code: mrl_av15_jp

BG-test certificate (en) 240 kB, 12.05.2016

Code: _av20p02

BG-test certificate (de) 247 kB, 12.05.2016

Code: _av20p01

CCC certification (cn) 2 MB, 11.12.2017

Code: q_av2p02

CCC certification (en) 2 MB, 11.12.2017

Code: q_av2p01

EAC certification (ru) 2 MB, 03.12.2018

Code: q_0010p17_ru

notice (es) 1 MB, 09.02.2012

Code: s_aufp01_es

notice (en) 487 kB, 09.02.2012

Code: s_aufp01_en

notice (fr) 1 MB, 09.02.2012

Code: s_aufp01_fr

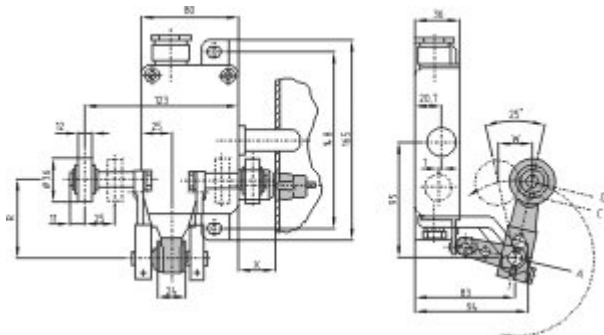
notice (it) 1 MB, 09.02.2012

Code: s_aufp01_it

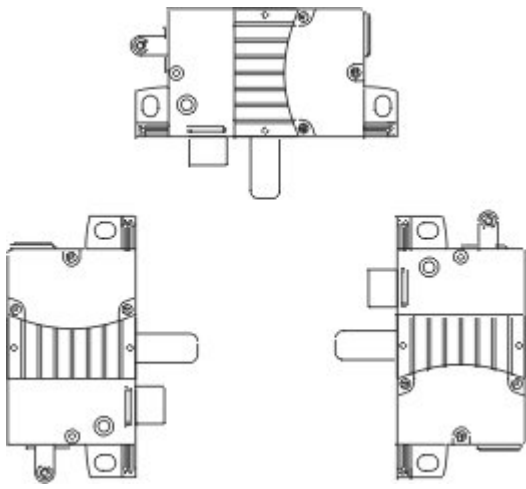
notice (de) 1 MB, 09.02.2012

Code: s_aufp01_de

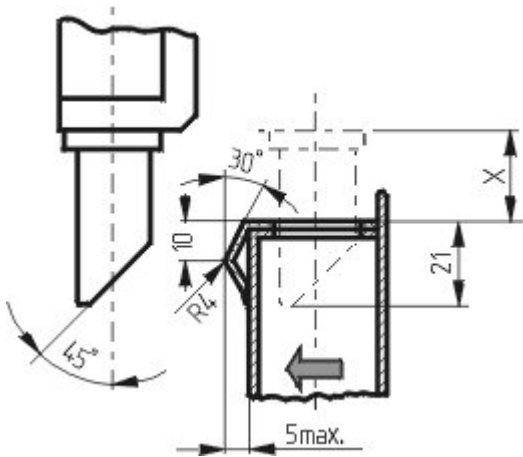
Images



Dimensional drawing (basic component)



Assembly example



Assembly example
