

## Datasheet - MVH 330-11Y

Position switch / light Position switch / M 330 / M 330 Roller lever H



Preferred typ



- Metal enclosure
- Long life
- 40 mm x 76 mm x 40 mm ( basic component)
- Suitable for low actuating speeds
- 1 Cable entry M 20 x 1.5
- free of silicon
- proved in power station applications
- Actuator head can be repositioned in steps 4 x 90°
- Continuous adjustment of lever position 360°
- Lever can be transposed by 180°

(Minor differences between the printed image and the original product may exist!)

### Ordering details

Product type description	MVH 330-11Y
Article number	101160129
EAN Code	4030661189086
eCl@ss	27-27-06-01

### Approval

Approval



### Global Properties

Permanent light	M 330 Rollenschwenkhebel H
Standards	EN 60947-5-1
Compliance with the Directives (Y/N)	Yes
Suitable for safety functions (Y/N)	No
Standard housing (Y/N)	No
Materials	
- Material of the housings	cast iron
- Roller material	Plastic
- Material of the contacts	Silver
Housing coating	painted

Weight	290
Slide form	Castor

## Mechanical data

---

Design of electrical connection	Screw connection
Cable section	
- Min. Cable section	1.5
- Max. Cable section	2.5
AWG-Number	13
Active principle	mechanical
Mechanical life	> 30.000.000 operations
notice	All indications about the cable section are including the conductor ferrules.
Design of actuating element	Roller lever
actuating torque	50.5
restistance to shock	50 g / 6 ms
Bounce duration	≤ 1.5
Switchover time	≤ 10
Contact opening	2 x 0,5
Repeat accuracy of switching points	± 0,02
Actuating speed	
- Min. Actuating speed	1
- Max. Actuating speed	

## Ambient conditions

---

Ambient temperature	
- Min. environmental temperature	-30
- Max. environmental temperature	+90
Protection class	IP65 to IEC/EN 60529

## Electrical data

---

Design of control element	Normally open contact (NO), Opener (NC)
- Change-over contact with double break	
- galvanically separated contact bridges	
Switching principle	Snap switch element
Number of shutters	1
Number of openers	1
Rated impulse withstand voltage $U_{imp}$	4 kV
Rated insulation voltage $U_i$	250 V
Thermal test current $I_{the}$	6 A
Utilisation category	AC-15: 230 V / 2,5 A
Max. fuse rating	6 A gG D-fuse

## Dimensions




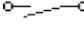
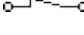
---

Dimensions of the sensor	
- Width of sensor	40
- Height of sensor	136.5
- Length of sensor	40
Roller wide	8.5
Roller diameter	20

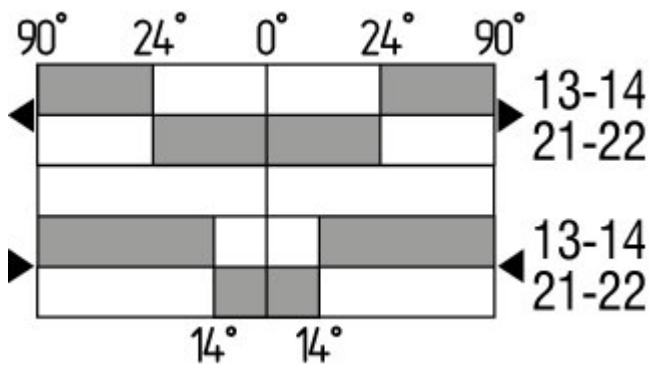
## Diagram








Note Diagram

-  positive break NC contact
-  active
-  no active
-  Normally-open contact
-  Normally-closed contact

## Switch travel diagram



Notes Switch travel diagram

-  Contact closed
-  Contact open
-  Setting range
-  Break point
-  Positive opening sequence/- angle
- VS** adjustable range of NO contact
- VÖ** adjustable range of NC contact
- N** after travel

## Ordering suffix

The applicable ordering suffix is added at the end of the part number of the safety switch.

Order example: MVH 330-11Y**Au-Ni**

...**Au-Ni**

Gold-nickel contact tips for low DC voltages

...- **1164**

Splined shaft and lever available with 10° tooting

...-**RMS**

Available with metal roller

## Ordering code

M(1) 330-11Y-(2)-(3)

(1)

<b>S</b>	Plunger S
<b>2S</b>	Telescopic plunger 2S
<b>R</b>	Roller plunger R
<b>K</b>	Offset roller lever K
<b>3K</b>	Angle roller lever 3K
<b>3S</b>	Side plunger 3S
<b>3R</b>	Side roller plunger 3R
<b>AF</b>	Spring rod lever AF
<b>4D</b>	Forked roller lever 4D
<b>8H</b>	Roller lever 8H
<b>7H</b>	Roller lever 7H
<b>10H</b>	Rod lever 10H
<b>H</b>	Roller lever H
<b>4H</b>	Spring rod lever on shaft 4H
<b>2H</b>	Leaf-spring lever 2H
<b>3H</b>	Roller lever 3H
<b>9H</b>	Rod lever 9H
<b>6H</b>	Leaf-spring lever 6H
<b>(2)</b>	
<i>without</i>	without LED switching conditions display
<b>G24</b>	with LED switching conditions display
<b>(3)</b>	
<b>Ni</b>	Contacts in Gold-nickel alloy
<b>1164</b>	Splined shaft and lever available with 10° toothing
<b>1366</b>	For temperatures up to +160°C

## Documents

---

**Operating instructions** (pl) 152 kB, 07.08.2018

Code: mrlk\_m330\_pl

**Operating instructions** (de) 120 kB, 07.08.2018

Code: mrlk\_m330\_de

**Operating instructions** (nl) 122 kB, 07.08.2018

Code: mrlk\_m330\_nl

**Operating instructions** (fr) 122 kB, 07.08.2018

Code: mrlk\_m330\_fr

**Operating instructions** (pt) 121 kB, 07.08.2018

Code: mrlk\_m330\_pt

**Operating instructions** (en) 119 kB, 07.08.2018

Code: mrlk\_m330\_en

**Operating instructions** (it) 120 kB, 07.08.2018

Code: mrlk\_m330\_it

**Operating instructions** (es) 120 kB, 07.08.2018

Code: mrlk\_m330\_es

**Declaration of conformity** (en) 86 kB, 21.12.2016

Code: konfi\_mrl\_m330\_en

**Declaration of conformity** (de) 97 kB, 17.11.2016

Code: konfi\_mrl\_m330\_de

**CCC certification** (en) 808 kB, 02.08.2016

Code: q\_332p01

**CCC certification** (cn) 803 kB, 02.08.2016

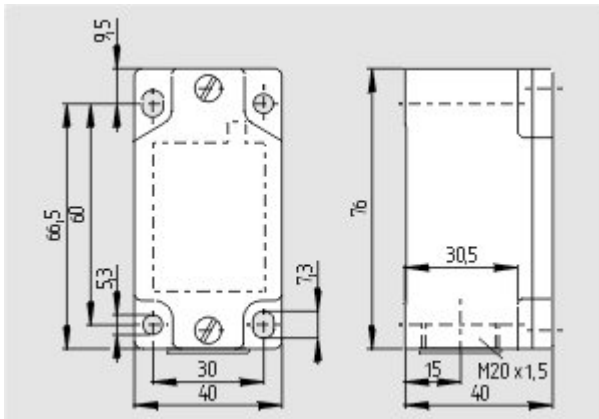
Code: q\_332p02

**EAC certification** (ru) 844 kB, 05.10.2015

Code: q\_6037p17\_ru

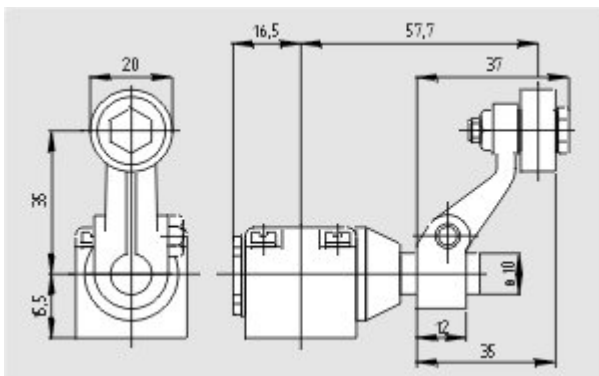
## Images

---



Dimensional drawing (basic component)

---



Dimensional drawing (miscellaneous)

---



Operating principle

---

K.A. Schmersal GmbH & Co. KG, Möddinghofe 30, D-42279 Wuppertal

The data and values have been checked thoroughly. Technical modifications and errors excepted.

Generiert am 13.02.2019 - 13:33:41h Kasbase 3.3.0.F.64I