

Datasheet - BP 8

Safety sensors / BNS 180 / Actuator



Preferred typ

- Unenclosed
- S-pole marked red



(Minor differences between the printed image and the original product may exist!)

Ordering details

Product type description	BP 8
Article number	101054816
EAN Code	4030661001869
eCl@ss	27-27-92-17

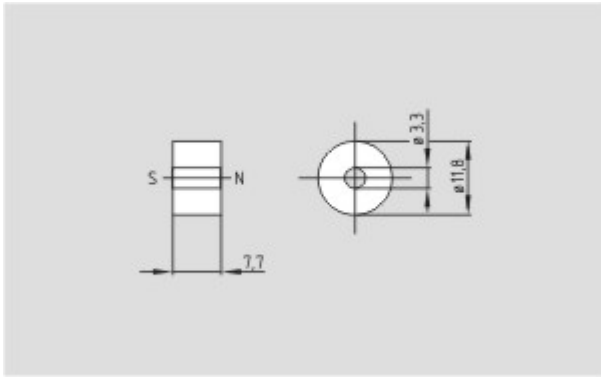
Global Properties

Permanent light	Magnet
Weight	5
Special characteristics	Unenclosed

Dimensions

Dimensions of the actuators	
- Width of the actuator	7.7
- Diameter of the actuator	11.8

Images



Dimensional drawing (miscellaneous)

K.A. Schmersal GmbH & Co. KG, Möddinghofe 30, D-42279 Wuppertal

The data and values have been checked thoroughly. Technical modifications and errors excepted.

Generiert am 13.02.2019 - 14:23:15h Kasbase 3.3.0.F.64I