

Datasheet - CSS 8-180-2P+D-M-ST

Safety sensors / CSS 180



Preferred typ



- 1 x connector plug M12, 8-pole
- Thermoplastic enclosure
- Electronic contact-free, coded system
- Comfortable diagnostics through sensor LED and electronic signalling output
- Misaligned actuation possible
- High repeat accuracy of the switching points
- Max. length of the sensor chain 200 m
- Early warning when operating near the limit of the sensor's hysteresis range
- Self-monitoring series-wiring of 16 sensors
- 2 short-circuit proof PNP safety outputs

(Minor differences between the printed image and the original product may exist!)

Ordering details

| | |
|--------------------------|---------------------|
| Product type description | CSS 8-180-2P+D-M-ST |
| Article number | 101209595 |
| EAN Code | 4030661387758 |
| eCl@ss | 27-27-24-01 |

Approval


Approval



Classification

| | |
|------------------|--|
| Standards | EN ISO 13849-1, IEC 61508, IEC 60947-5-3 |
| PL | up e |
| Control category | bis 4 |
| PFH | $2.5 \times 10^{-9} / h$ |
| SIL | bis 3 |
| Mission time | 20 Years |
| Classification | PDF-M |

Global Properties

| | |
|--|---|
| Permanent light | CSS 180 |
| Standards | IEC 61508, IEC 60947-5-3 |
| Compliance with the Directives (Y/N)  | Yes |
| Suitable for safety functions (Y/N) | Yes |
| Function | Individual sensor or end sensor in a series, Sensor for series wiring |
| Series-wiring | up to 16 components |
| Length of the sensor chain | max. 200 m |
| Active principle | inductive |
| Materials | |
| - Material of the housings | Plastic, glass-fibre reinforced thermoplastic |
| - Material of the nuts | Plastic, glass-fibre reinforced thermoplastic |
| - Material of the active surface | Plastic, glass-fibre reinforced thermoplastic |
| Housing construction form | cylinder, thread |
| Weight | 138 |
| Reaction time | ≤ 30 |
| Duration of risk | ≤ 30 |
| Cascadable (Y/N) | No |
| Recommended actuator | CST 180-1, CST 180-2 |

Mechanical data

| | |
|--------------------------------------|------------------------------|
| Design of electrical connection | connector plug M12, 8-pole |
| - Connector IN/OUT | Connector M12, 8-pole |
| mechanical installation conditions | not flush |
| Switch distance S_n | 8 mm |
| Ensured switch distance ON S_{ao} | 7 mm |
| Ensured switch distance OFF S_{ar} | 10 mm |
| hysteresis | ≤ 0,7 mm |
| Repeat accuracy R_R | ≤ 0,2 mm |
| restistance to shock | 30 g / 11 ms |
| Resistance to vibration | 10 ... 55 HZ, Amplitude 1 mm |
| Tightening torque for nuts | A/F 24 max. 300 Ncm |

Ambient conditions

| | |
|---|----------------------------|
| Ambient temperature | |
| - Min. environmental temperature | -25 |
| - Max. environmental temperature | +60 |
| Storage and transport temperature | |
| - Min. Storage and transport temperature | -25 |
| - Max. Storage and transport temperature | +85 |
| Protection class | IP65, IP67 to IEC/EN 60529 |
| Protection rating | II |
| Air clearances and creepage distances To IEC/EN 60664-1 | |
| - Rated impulse withstand voltage U_{imp} | 0,8 kV |
| - Overvoltage category | III |
| - Degree of pollution | 3 |

Electrical data

| | |
|--|-----|
| Cross circuit/short circuit recognition possible (Y/N) | Yes |
| Voltage type | DC |

| | |
|--------------------------------|--|
| Supply voltage U_B | |
| - Min. supply voltage | 20.4 V DC |
| - Max. supply voltage | 26.4 V DC |
| Switch frequency | 3 |
| Rated insulation voltage U_i | 32 V DC |
| Residual current I_r | $\leq 0,5$ mA |
| Operating current I_e | 1 A |
| Utilisation category | DC-12: 24 V / 0,5 A DC-13: 24 V / 0,5 A |
| No-load current I_0 | 0,05 A |

Electrical data - Safety outputs

| | |
|---|--|
| Safety outputs | Y1 and Y2 |
| Fuse rating | short-circuit proof, p-type |
| Design of control output | PNP |
| Number of secure semi-conductor outputs | 2 |
| Max. output current at secured output | 0,5 A |
| Rated operating voltage | 24 VDC |
| Operating current I_e | 0,5 A |
| Utilisation category | DC-12: 24 V / 0,5 A DC-13: 24 V / 0,5 A |
| Voltage drop U_d | max. 0,5 V |

Electrical data - Diagnostic output

| | |
|--|-----------------------------|
| Fuse rating | short-circuit proof, p-type |
| Design of control output | PNP |
| Number of semi-conductor outputs with signaling function | 1 |
| Rated operating voltage | 24 VDC |
| Operating current I_e | 0,05 A |
| Utilisation category | DC-12, DC-13 |
| Wiring capacitance for serial diagnostics | max. 50 nF |

LED switching conditions display

| | |
|--|--------------------|
| LED switching conditions display (Y/N) | Yes |
| Multi-coloured LED | green, red, yellow |

ATEX

| | |
|---|------|
| Explosion protection categories for gases | None |
| Explosion protected category for dusts | None |

Dimensions

| | |
|--------------------------|-----|
| Dimensions of the sensor | |
| - Length of sensor | 92 |
| - Diameter of sensor | M18 |

Pin assignment

| | |
|---|-------------------|
| 1 | A1 U_e |
| 2 | X2 Safety input 2 |

| | |
|---|--------------------|
| 3 | A2 GND |
| 4 | Y1 Safety output 1 |
| 5 | Signalling output |
| 6 | X1 Safety input 1 |
| 7 | 2 Safety output Y2 |
| 8 | without function |

notice

Requirements for the safety monitoring module

2-channel safety input, suitable for p-type sensors with NO function. The safety monitoring module must tolerate internal functional tests of the sensors with cyclic switch-off of the sensor outputs for max. 2 ms. The safety monitoring module does not need to have a cross-wire short monitoring function.

Included in delivery

Actuators must be ordered separately.

Mounting accessories

2 x Nuts M 18 x 1

Indication legend

see drawing: Characteristic curve

| | |
|------------------|-----------------------------|
| S | Switch distance |
| V | Axial offset |
| S _{on} | Switch-on distance |
| S _{off} | Switch-off distance |
| S _h | Hysteresis area |
| S _{ao} | Ensured switch distance ON |
| S _{ar} | Ensured switch distance OFF |

Ordering code

CSS 8-180-(1)-(2)-(3)

(1)

2P

2P+D

(2)

E

Y

M

(3)

L

LST

ST

2 short-circuit proof PNP safety outputs

2 short-circuit proof PNP safety outputs and Diagnostic output

Individual sensor or end sensor in a series

Series-wiring

Multifunction connection

cable

cable with connector

connector plug

Documents

Operating instructions and Declaration of conformity (en) 288 kB, 07.03.2017

Code: mrl_css180_en

Operating instructions and Declaration of conformity (it) 299 kB, 29.06.2017

Code: mrl_css180_it

Operating instructions and Declaration of conformity (fr) 296 kB, 28.04.2017

Code: mrl_css180_fr

Operating instructions and Declaration of conformity (pl) 315 kB, 04.07.2017

Code: mrl_css180_pl

Operating instructions and Declaration of conformity (es) 294 kB, 28.04.2017

Code: mrl_css180_es

Operating instructions and Declaration of conformity (jp) 377 kB, 15.01.2013

Code: mrl_css180_jp

Operating instructions and Declaration of conformity (cn) 502 kB, 23.11.2018

Code: mrl_css180_cn

Operating instructions and Declaration of conformity (nl) 337 kB, 05.07.2018

Code: mrl_css180_nl

Operating instructions and Declaration of conformity (da) 297 kB, 23.08.2012

Code: mrl_css180_da

Operating instructions and Declaration of conformity (pt) 299 kB, 05.04.2017

Code: mrl_css180_pt

Operating instructions and Declaration of conformity (de) 279 kB, 07.03.2017

Code: mrl_css180_de

Wiring example (de) 55 kB, 29.09.2009

Code: kcsp1p01

Diagnosis tables (en) 136 kB, 12.01.2009

Code: b_tabp02

Diagnosis tables (de) 135 kB, 12.01.2009

Code: b_tabp01

BG-test certificate (de) 224 kB, 20.11.2015

Code: z_cssp01

BG-test certificate (en) 196 kB, 10.12.2015

Code: z_cssp02

Brochure (de) 6 MB, 15.02.2018

Code: b_css_brosch09_de

Brochure (en) 6 MB, 15.02.2018

Code: b_css_brosch09_en

Brochure (en) 517 kB, 03.05.2005

Code: b_cssp02

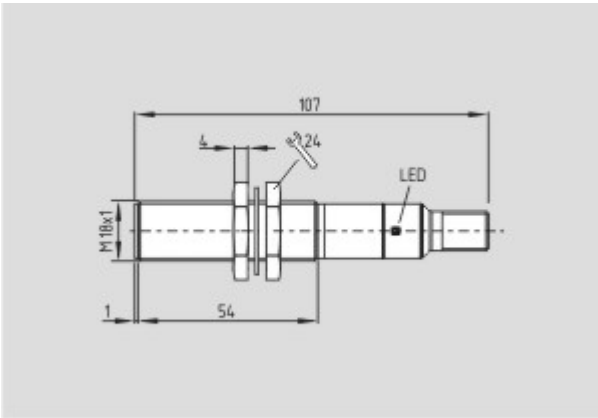
Brochure (de) 520 kB, 03.05.2005

Code: b_cssp01

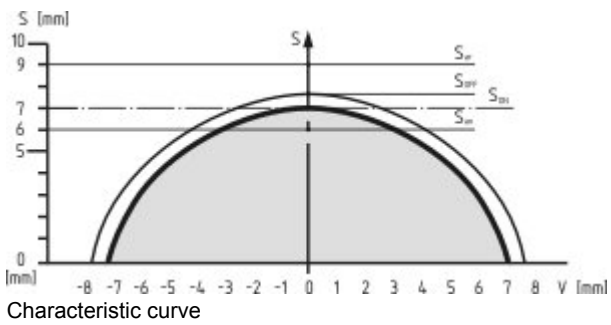
EAC certification (ru) 747 kB, 05.10.2015

Code: q_6396p17_ru

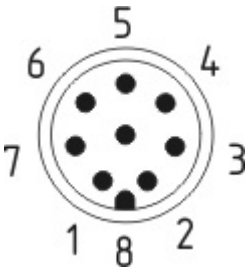
Images



Dimensional drawing (basic component)



Characteristic curve



Contact arrangement

System components

Actuator



101179574 - CST 180-2

- Front and lateral actuation of the sensor possible
-



101177198 - CST 180-1

- Front and lateral actuation of the sensor possible

Accessories



101173457 - CSA-M-1

- Magnetic snap lock
 - For play-free interlocking of light guards
-

Safety control modules



SRB031MC

- 1 Signalling output
 - 3 safety contacts, STOP 1
 - Drop-out delay can be set between 0,4 to 1,5 s
 - Suitable for signal processing of potential-free outputs, e.g. emergency stop command devices, position switches and solenoid interlocks
 - Suitable for signal processing of outputs connected to potentials (AOPDs), e.g. safety light grids/curtains
 - Fit for signal evaluation of outputs of safety magnetic switches
-



SRB 301LC/B

- Fit for signal evaluation of outputs of safety magnetic switches (to this end, integrated current and voltage limiters)
 - Suitable for signal processing of potential-free outputs, e.g. emergency stop command devices, position switches and solenoid interlocks
 - Suitable for signal processing of outputs connected to potentials (AOPDs), e.g. safety light grids/curtains
 - 3 safety contacts, STOP 0
 - 1 Signalling output
-



SRB 301MC

- Fit for signal evaluation of outputs of safety magnetic switches
 - 3 safety contacts, STOP 0
 - 1 Signalling output
 - Suitable for signal processing of outputs connected to potentials (AOPDs), e.g. safety light grids/curtains
 - Suitable for signal processing of potential-free outputs, e.g. emergency stop command devices, position switches and solenoid interlocks
-



SRB301ST

- Suitable for signal processing of potential-free outputs, e.g. emergency stop command devices, position switches and solenoid interlocks
 - Suitable for signal processing of outputs connected to potentials (AOPDs), e.g. safety light grids/curtains
 - Fit for signal evaluation of outputs of safety magnetic switches
 - 3 safety contacts, STOP 0
 - 1 Signalling output
-



SRB304ST

- Suitable for signal processing of potential-free outputs, e.g. emergency stop command devices, position switches and solenoid interlocks
 - Suitable for signal processing of outputs connected to potentials (AOPDs), e.g. safety light grids/curtains
 - Fit for signal evaluation of outputs of safety magnetic switches
 - 3 safety contacts, STOP 0
 - 4 Signalling outputs
-

SRB324ST



- Suitable for signal processing of potential-free outputs, e.g. emergency stop command devices, position switches and solenoid interlocks
- Suitable for signal processing of outputs connected to potentials (AOPDs), e.g. safety light grids/curtains
- 3 safety contacts, STOP 0;
- 2 safety contacts, STOP 1 (adjustable 1 ... 30 s)
- 4 Signalling outputs
- Optional: Short-circuit recognition, Manual reset with edge detection in fail-safe circuit, Automatic reset function



101170036 - AES 1135

- Monitoring of BNS range magnetic safety sensors
- 1 safety contact, STOP 0
- 2 Signalling outputs



101170049 - AES 1235

- Monitoring of BNS range magnetic safety sensors
- 2 safety contacts, STOP 0
- 2 Signalling outputs

Mounting accessories



101068879 - MOUNTING CLAMP H 18

- For a smooth fitting of the proximity switches with cylindric shape \varnothing 18 mm or thread M18

K.A. Schmersal GmbH & Co. KG, Möddinghofe 30, D-42279 Wuppertal

The data and values have been checked thoroughly. Technical modifications and errors excepted.

Generiert am 13.02.2019 - 14:27:46h Kasbase 3.3.0.F.64I