

Datasheet - AZM 415-33ZPDK 24 VAC/DC

Solenoid interlock / AZM 415



Preferred typ



(Minor differences between the printed image and the original product may exist!)

- Metal enclosure
- Interlock with protection against incorrect locking.
- Robust design
- Long life
- 2 cable entries M 20 x 1.5
- Cut clamp termination
- Ball latch for each door, individually adjustable up to 400 N
- 3 switches in one enclosure
- Spring-loaded actuators
- for double doors
- 141 mm x 125 mm x 46,5 mm

Ordering details

| | |
|--------------------------|--------------------------|
| Product type description | AZM 415-33ZPDK 24 VAC/DC |
| Article number | 101135487 |
| EAN Code | 4030661280226 |
| eCl@ss | 27-27-26-03 |

Approval

Approval



Classification

| | |
|-----------------------------------|--|
| Standards | EN ISO 13849-1 |
| B10d Normally-closed contact (NC) | 2.000.000 |
| Mission time | 20 Years |
| notice | $MTTF_d = \frac{B_{10d}}{0,1 \times n_{op}}$ $n_{op} = \frac{d_{op} \times h_{op} \times 3600 \text{ s/h}}{t_{cycle}}$ |

Global Properties

| | |
|--------------------------------------|---------------------------|
| Permanent light | AZM 415 |
| Standards | EN 60947-5-1, BG-GS-ET-19 |
| Compliance with the Directives (Y/N) | Yes |
| Number of guard doors | 2 |
| Number of actuating directions | 1 |
| Active principle | electromechanical |

| | |
|----------------------------|--------------|
| Duty cycle ED | Magnet 100 % |
| Materials | |
| - Material of the housings | Aluminium |
| - Material of the contacts | Silver |
| Housing coating | painted |
| Weight | 1235 |

Mechanical data

| | |
|----------------------------------|---|
| Design of electrical connection | Screw connection |
| Cable section | |
| - Min. Cable section | 2 x 0,75 mm ² |
| - Max. Cable section | 2 x 2.5 mm ² |
| Mechanical life | > 1.000.000 operations |
| notice | All indications about the cable section are including the conductor ferrules. |
| Emergency unlocking device (Y/N) | No |
| Manual release (Y/N) | No |
| Emergency release (Y/N) | No |
| Latching force | 150 N ... 400 N |
| Positive break force | 15 N min. |
| positive break travel | 4.5 |
| Clamping force F | 2500 N (for each guard) |
| Max. Actuating speed | 0,2 m/s |

Ambient conditions

| | |
|----------------------------------|----------------------|
| Ambient temperature | |
| - Min. environmental temperature | -25 °C |
| - Max. environmental temperature | +50 °C |
| Protection class | IP67 to IEC/EN 60529 |

Electrical data

| | |
|--|--|
| Design of control element | Normally open contact (NO), Opener (NC) |
| Switching principle | Creep circuit element |
| Number of auxiliary contacts | 3 |
| Number of safety contacts | 3 |
| Power to unlock | Yes |
| Power to lock | No |
| Rated control voltage U _s | 24 V AC/DC |
| Power consumption | max. 10 W |
| Rated impulse withstand voltage U _{imp} | 4 kV |
| Rated insulation voltage U _i | 250 V |
| Thermal test current I _{the} | 6 A |
| Utilisation category | AC-15: 230 V / 4 A, DC-13: 24 V / 1 A |
| Max. fuse rating | 6 A gG D-fuse |

ATEX

| | |
|---|------|
| Explosion protection categories for gases | None |
| Explosion protected category for dusts | None |

Miscellaneous data

Applications



sliding safety guard



hinged safety guard

Dimensions

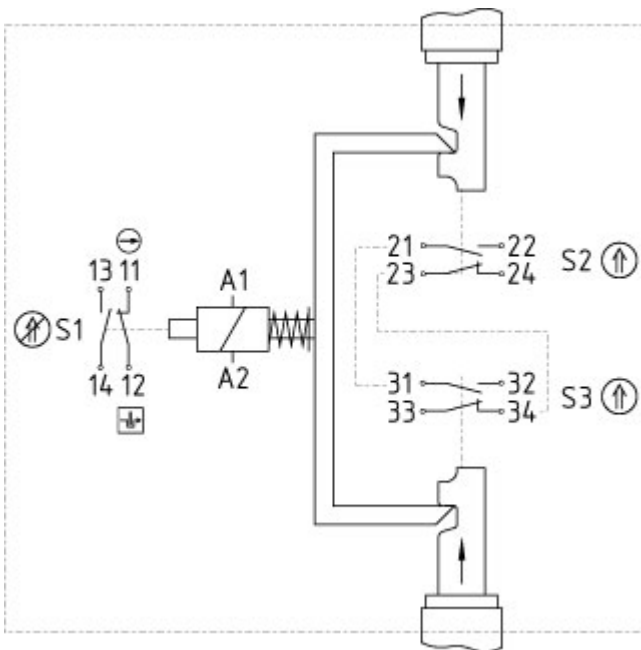
Dimensions of the sensor

| | |
|--------------------|------|
| - Width of sensor | 141 |
| - Height of sensor | 125 |
| - Length of sensor | 46.5 |

notice - Dimensional drawing

A setting screw Ball latch

Diagram



Note Diagram

- positive break NC contact
- active
- no active
- Normally-open contact
- Normally-closed contact

Ordering suffix

The applicable ordering suffix is added at the end of the part number of the safety switch.

Order example: AZM 415-33ZPDK 24 VAC/DC-1637

....-1637

0,3 µm gold-plated contacts

Ordering code

AZM 415-(1)(2)PK(3)-(4) (5)(6)-(7)

| | |
|------------|---|
| (1) | |
| 11/11 | 2 Opener (NC) / Normally open contact (NO) 2 |
| 11/02 | 3 Opener (NC) / 1 Normally open contact (NO) |
| 11/20 | 1 Opener (NC) / 3 Normally open contact (NO) |
| 02/11 | 3 Opener (NC) / 1 Normally open contact (NO) |
| 02/20 | 2 Opener (NC) / 2 Normally open contact (NO) |
| 02/02 | 4 Opener (NC) |
| (2) | |
| X | Protection class IP54 |
| Z | Protection class IP67 |
| (3) | |
| without | Power to unlock |
| A | Power to lock |
| (4) | |
| STR | connector M23 right |
| ST | connector M23 bottom |
| (5) | |
| without | without Manual release |
| E | Manual release using triangular key |
| F | using triangular key (secured with locking screw) |
| FE | using triangular key |
| RS | Manual release with key |
| T | Emergency exit using latched pushbutton (<i>only for Power to unlock</i>) |
| TE | Emergency exit and Manual release, Mounting outside (<i>only for Power to unlock</i>) |
| TEI | Emergency exit and Manual release, Mounting inside (<i>only for Power to unlock</i>) |
| NS | Emergency release using lock button |
| (6) | |
| 24VAC/DC | Us: 24 VAC/DC |
| 110VAC | Us: 110 VAC |
| 230VAC | Us: 230 VAC |
| (7) | |
| 1637 | gold-plated contacts |
| | AZM 415 for double doors |
| | AZM 415-33ZPK(1)(2) (3)(4) |
| (1) | |
| A | Power to lock |
| (2) | |
| ST | connector M23 right |
| without | Power to unlock |
| STR | connector M23 bottom |
| (3) | |
| without | without Manual release |
| E | Manual release using triangular key (<i>only for Power to unlock</i>) |
| (4) | |
| 1637 | gold-plated contacts |

Operating instructions and Declaration of conformity (da) 301 kB, 08.08.2012

Code: mrl_azm415-22-33_da

Operating instructions and Declaration of conformity (nl) 321 kB, 30.07.2018

Code: mrl_azm415-22-33_nl

Operating instructions and Declaration of conformity (jp) 631 kB, 18.08.2017

Code: mrl_azm415-22-33_jp

Operating instructions and Declaration of conformity (it) 306 kB, 20.07.2016

Code: mrl_azm415-22-33_it

Operating instructions and Declaration of conformity (pt) 309 kB, 26.04.2017

Code: mrl_azm415-22-33_pt

Operating instructions and Declaration of conformity (es) 311 kB, 22.06.2016

Code: mrl_azm415-22-33_es

Operating instructions and Declaration of conformity (cn) 456 kB, 26.07.2017

Code: mrl_azm415-22-33_cn

Operating instructions and Declaration of conformity (de) 355 kB, 18.12.2018

Code: mrl_azm415-22-33_de

Operating instructions and Declaration of conformity (pl) 341 kB, 20.07.2016

Code: mrl_azm415-22-33_pl

Operating instructions and Declaration of conformity (fr) 312 kB, 20.07.2016

Code: mrl_azm415-22-33_fr

Operating instructions and Declaration of conformity (en) 381 kB, 18.12.2018

Code: mrl_azm415-22-33_en

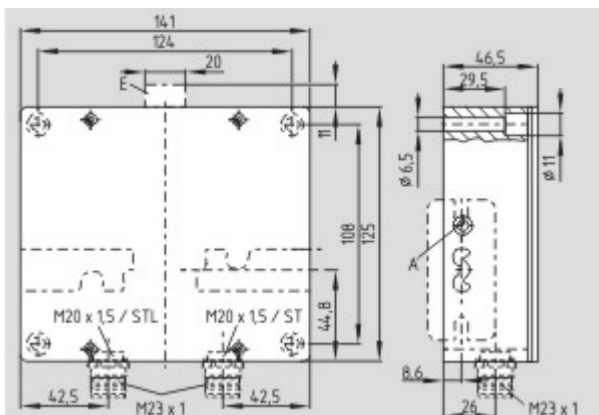
CCC certification (cn) 2 MB, 17.01.2018

Code: q_azmp05

CCC certification (en) 2 MB, 17.01.2018

Code: q_azmp04

Images



Dimensional drawing (basic component)

System components

Actuator



1128545 - AZ/AZM 415-B1

- For sliding doors
- Actuators with return spring
- Tolerates up to max. 6 mm overtravel



1144796 - AZ/AZM 415-B2

- Particularly suitable for hinged guards
- For very small actuating radii in line with the plane of the actuator



1144797 - AZ/AZM 415-B3

- Particularly suitable for hinged guards
- For very small actuating radii at 90° to the plane of the actuator



101142540 - AZ/AZM 415-B4PS

- For sliding doors
- with locking bolt and ball latch

Door-handle system



AZM 415-ST30

- Latching handle
- Suitable for all types of guard
- einsetzbar in Verbindung mit EX-AZM 415

Accessories



101100887 - TRIANGULAR KEY TK-M5

- For manual release using M5 triangular key, available as accessory
- For maintenance, installation, etc.