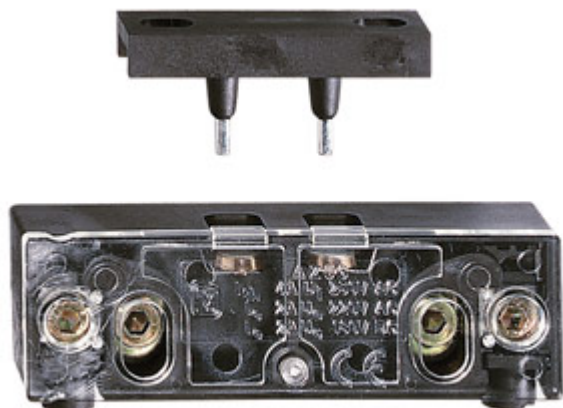


Datasheet - AZ 07 KT

Positive-operation door contacts / AZ 07



Preferred typ



- Single-conductor entry with strain relief
- Thermoplastic enclosure
- Contact pin in actuator bridge
- 1 Actuating planes
- Protection class IP20
- transparent cover
- fixing screws M4 undetachable, captive
- Fitting dimensions suitable for AZ 06x
- Self-cleaning through the frictional movement of the contact bridges
- Enclosure with mounting slots

(Minor differences between the printed image and the original product may exist!)

Ordering details

Product type description	AZ 07 KT
Article number	101195820
EAN Code	4030661362854
eCl@ss	27-27-26-02

Approval

Approval



Global Properties

Permanent light	AZ 07
Standards	EN 81-20, EN 81-50
Compliance with the Directives (Y/N)	Yes
suitable for elevators (Y/N)	Yes
Mounting	
Materials	
- Material of the housings	Plastic, glass-fibre reinforced thermoplastic self-extinguishing
- Material of the cover	transparent thermoplastic, self-extinguishing
- Material of the contacts	-Silver-plated rivets
Weight	30

Mechanical data

Design of electrical connection	Screw connection
- notice	Hexagonal screws with self-lifting clamps
Cable entry	Single-conductor entry with strain relief
Mechanical life	> 1.000.000 operations
Actuating planes	1
Actuating force	1.6
Actuating stroke	7
Positive break force	-
positive break travel	-

Ambient conditions

Ambient temperature	
- Min. environmental temperature	-15
- Max. environmental temperature	+70
Relative humidity	≤ 95, non-condensing
Fully insulated (Y/N)	No
Protection class	IP20

Electrical data

Design of control element	Opener (NC)
Switching principle	Self-cleaning pressure contact
Number of auxiliary contacts	0
Number of safety contacts	1
Rated impulse withstand voltage	-
Rated insulation voltage	500
Thermal test current	4 A
Utilisation category	AC-15: 230 V / 2 A, DC-13: 200 V / 2 A
Max. fuse rating	2 A gG D-fuse

ATEX

Explosion protection categories for gases	None
Explosion protected category for dusts	None

Dimensions

Dimensions	
- Width	72
- Height	22
- Depth	19

notice

The connecting screws can be sealed with plugs. (2 plugs per switch)

Included in delivery

Actuators must be ordered separately.

Documents

Operating instructions (nl) 96 kB, 01.08.2018

Code: mrl_az-allgemein_nl

Operating instructions (es) 89 kB, 28.09.2017

Code: mrl_az-allgemein_es

Operating instructions (en) 91 kB, 13.09.2017

Code: mrl_az-allgemein_en

Operating instructions (fr) 97 kB, 30.11.2018

Code: mrl_az-allgemein_fr

Operating instructions (it) 90 kB, 10.10.2017

Code: mrl_az-allgemein_it

Operating instructions (pt) 92 kB, 10.10.2017

Code: mrl_az-allgemein_pt

Operating instructions (pl) 122 kB, 10.10.2017

Code: mrl_az-allgemein_pl

Operating instructions (de) 93 kB, 13.09.2017

Code: mrl_az-allgemein_de

Declaration of conformity (en) 111 kB, 07.07.2016

Code: ACE_konfi_mrl_az-allgemein_en

Declaration of conformity (br) 87 kB, 25.04.2016

Code: ACE_konfi_mrl_az-allgemein_br

Declaration of conformity (de) 88 kB, 09.03.2016

Code: ACE_konfi_mrl_az-allgemein_de

BG-test certificate (en) 1 MB, 28.08.2018

Code: z_az0p06

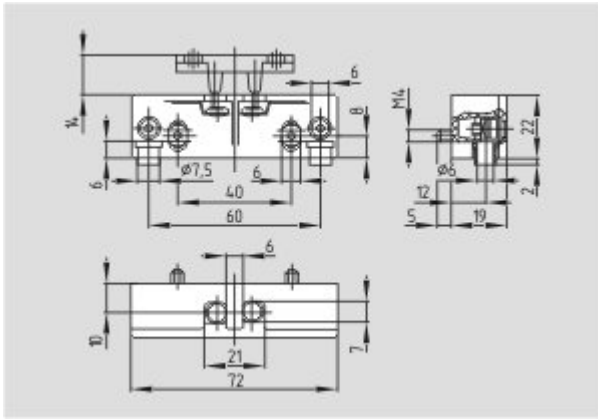
BG-test certificate (de) 1 MB, 28.08.2018

Code: z_az0p05

EAC certification (ru) 2 MB, 03.12.2018

Code: q_0010p17_ru

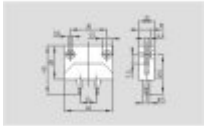
Images



Dimensional drawing (basic component)

System components

Actuator



101057921 - AZ 06 B-1284

- Contact pin in actuator bridge
- for AZ 06x, AZ 06, AZ 07, AZ 08, AZ 13, AZ 14-1, AZ 19
- for Hook bar



101057930 - AZ 06-13 B/23

- Contact pin in actuator bridge
- for AZ 06x, AZ 06, AZ 07, AZ 08, AZ 13, AZ 14-1, AZ 19



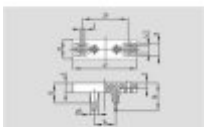
101057929 - AZ 06-13 B/21

- Contact pin in actuator bridge
- for AZ 06x, AZ 06, AZ 07, AZ 08, AZ 13, AZ 14-1, AZ 19



101057928 - AZ 06-13 B/18

- Contact pin in actuator bridge
- for AZ 06x, AZ 06, AZ 07, AZ 08, AZ 13, AZ 14-1, AZ 19



101088124 - AZ 07-14 B/23

- Contact pin in actuator bridge
- for AZ 06x, AZ 06, AZ 07, AZ 08, AZ 13, AZ 14-1, AZ 19
- with Washer

101088123 - AZ 07-14 B/21

- Contact pin in actuator bridge

