

Datasheet - EX-T4V10H 335-12Z-3G/D



Position switches with safety function / EX-335 Metal enclosure with Actuator / EX-335 Rod lever 10H



(Minor differences between the printed image and the original product may exist!)

- Explosion protection for ATEX Zones 2 and 22
- Metal enclosure
- Wide range of alternative actuators
- Good resistance to oil and petroleum spirit
- 40,5 mm x 76 mm x 38 mm
- Actuator heads can be repositioned by 4 x 90°
- Ex-certified screwed cable gland
- Mounting details to EN 50041
- 1 Cable entry M 20 x 1.5
- Ex certified
- **only for positioning tasks**

Ordering details

Product type description	EX-T4V10H 335-12Z-3G/D
Article number	101187625
EAN Code	4030661335797
eCl@ss	27-27-26-01

Approval

Approval	ATEX
----------	------

Classification

Standards	EN ISO 13849-1
B10d Normally-closed contact (NC)	20.000.000
Mission time notice	20 Years
	$MTTF_d = \frac{B_{10d}}{0,1 \times n_{op}}$ $n_{op} = \frac{d_{ap} \times h_{cp} \times 3600 \text{ s/h}}{t_{cycle}}$

Global Properties

Permanent light	EX-T 335 Stabschwenkhebel 10H
Standards	EN 60079-0, EN 60079-15, EN 60079-31, EN 60947-5-1, BG-GS-ET-15
Compliance with the Directives (Y/N)	Yes

Suitable for safety functions (Y/N)	No
Materials	
- Material of the housings	Aluminium
- Lever material	Metal film
- Material of the rod	Plastic
- Material of the contacts	Silver
Housing coating	painted
Housing construction form	Norm construction design
Weight	305


Mechanical data

Design of electrical connection	Screw connection
Cable cross-section of the cable glands	
- Min. Cable cross-section of the cable glands	7
- Max. Cable cross-section of the cable glands	12
Cable section	
- Min. Cable section	0,75
- Max. Cable section	2.5
AWG-Number	13
Mechanical life	30.000.000 operations
Switching frequency	max. 5000 /h
notice	All indications about the cable section are including the conductor ferrules.
Design of actuating element	Rod lever
actuating torque	min. 31 Ncm
Bounce duration	< 2
Switchover time	in accordance with actuating speed
Impact energy	max. 4 J
Actuating speed with actuating angle 30° to switch axis	
- Min. Actuating speed	
- Max. Actuating speed	2.5 m/s

Ambient conditions

Ambient temperature	
- Min. environmental temperature	-20
- Max. environmental temperature	+60
Protection class	IP67

Electrical data

Design of control element	Normally open contact (NO), Opener (NC)
Switching principle	Slow action
- positive break NC contact 	
Number of auxiliary contacts	1
Number of safety contacts	2
Rated impulse withstand voltage U_{imp}	4 kV
Rated insulation voltage U_i	250 V
Thermal test current I_{the}	10 A
Utilisation category	AC-15: 230 V / 4 A, DC-13: 24 V / 1 A
Max. fuse rating	6 A gG D-fuse

ATEX

EX-marking	EX II 3D Ex tc IIC T90°C Dc X EX II 3G Ex nC IIC T5 Gc X
Explosion protection categories for gases	3G
Explosion protection Zones for gases	2
Explosion protected category for dusts	3D
Explosion protection Zones for dusts	22

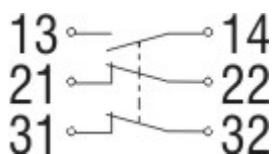
Dimensions

Dimensions of the sensor	
- Width of sensor	40.5
- Height of sensor	111.5 (without Rod)
- Length of sensor	38




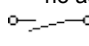
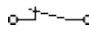
Keywords

Keywords	Ex, EEx, ATEX, Ex 235, Ex 235, 235 Ex, 235ex, 235ex, ATEX 235
----------	---

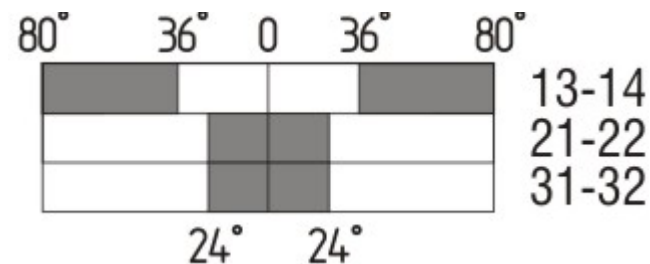
Diagram








Note Diagram

-  positive break NC contact
-  active
-  no active
-  Normally-open contact
-  Normally-closed contact

Switch travel diagram



Notes Switch travel diagram

-  Contact closed
-  Contact open
-  Setting range
-  Break point
-  Positive opening sequence/- angle
- VS** adjustable range of NO contact
- VÖ** adjustable range of NC contact
- N** after travel

Ordering suffix

The applicable ordering suffix is added at the end of the part number of the safety switch.

Order example: EX-T4V10H 335-12Z-3G/D-1183

...-1183 with Aluminium - Rod

...-1297 Enclosure with transverse slotted holes

...-1637 0,3 µm gold-plated contacts

Ordering code

EX-(1)(2) 335-(3)Z(4)-(5)-(6)-(7)-3G/D

(1)

Z Snap action

T Slow action

(2)

S Plunger S

R Roller plunger R

H Roller lever H

10H Rod lever 10H

7H Roller lever 7H

7H-2138 Roller lever 7H for Position switches with safety function

1K Offset roller lever 1K

3K Angle roller lever 3K

(3)

11 1 Normally open contact (NO) / 1 Opener (NC)

02 2 Opener (NC)

20 2 Normally open contact (NO) (*Switch with 2 NO contacts are not for security tasks*)

01/01 1 Opener (NC) left / 1 Opener (NC) right

12 1 Normally open contact (NO) / 2 Opener (NC)

03 3 Opener (NC)

(4)

H Slow action with staggered contacts

UE Slow action with overlapping contacts

(5)

1297 Enclosure with transverse slotted holes

(6)

2138 Roller lever 7H for Position switches with safety function

(7)

1637 gold-plated contacts

Documents

Operating instructions and Declaration of conformity (jp) 614 kB, 18.08.2017

Code: mrl_ex-zt335-3gd_jp

Operating instructions and Declaration of conformity (de) 303 kB, 16.08.2018

Code: mrl_ex-zt335-3gd_de

Operating instructions and Declaration of conformity (it) 339 kB, 27.08.2018

Code: mrl_ex-zt335-3gd_it

Operating instructions and Declaration of conformity (en) 354 kB, 16.08.2018

Code: mrl_ex-zt335-3gd_en

Operating instructions and Declaration of conformity (pt) 361 kB, 27.08.2018

Code: mrl_ex-zt335-3gd_pt

Operating instructions and Declaration of conformity (fr) 359 kB, 27.08.2018

Code: mrl_ex-zt335-3gd_fr

Operating instructions and Declaration of conformity (pl) 394 kB, 27.08.2018

Code: mrl_ex-zt335-3gd_pl

Operating instructions and Declaration of conformity (es) 357 kB, 27.08.2018

Code: mrl_ex-zt335-3gd_es

Operating instructions and Declaration of conformity (nl) 356 kB, 27.08.2018

Code: mrl_ex-zt335-3gd_nl

Brochure (de) 7 MB, 19.10.2016

Code: b_atep01_de

Brochure (en) 7 MB, 19.10.2016

Code: b_atep01_en

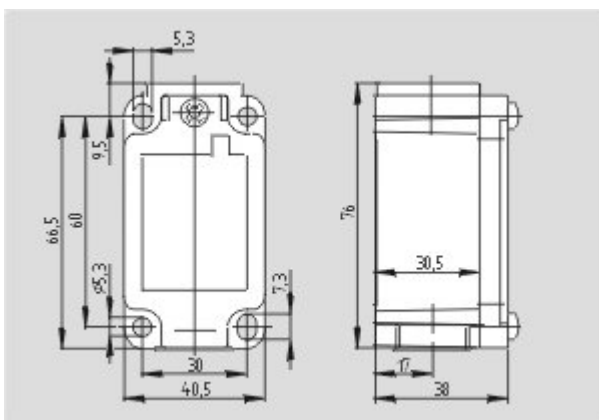
Brochure (it) 3 MB, 20.07.2007

Code: b_atep05

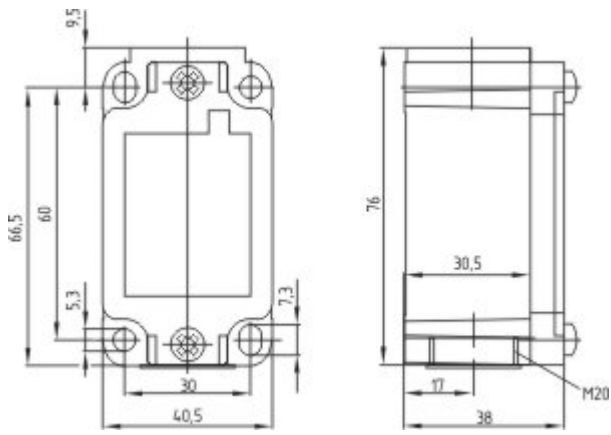
Brochure (es) 5 MB, 18.08.2009

Code: b_atep09

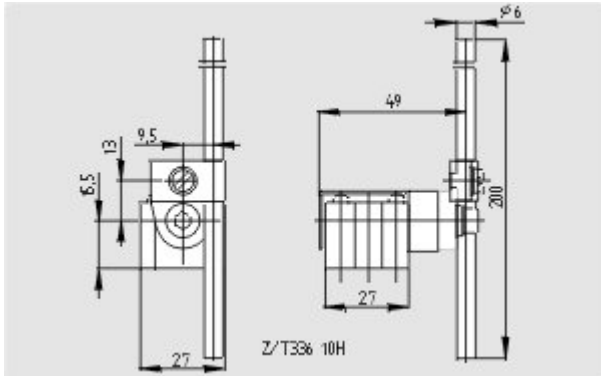
Images



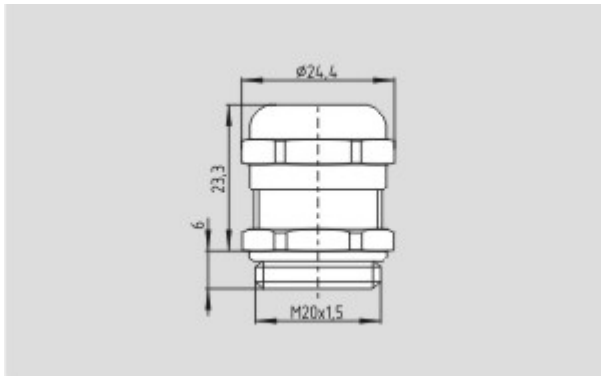
Dimensional drawing (basic component)



Dimensional drawing (basic component)



Dimensional drawing (actuator)



Dimensional drawing (miscellaneous)