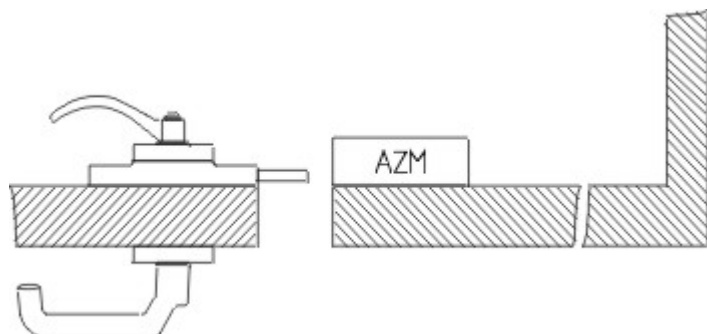


Datasheet - AZM 415-ST30-02

Solenoid interlock / AZM 415 / Door-handle system STS / AZM 415-ST30



- Latching handle
- Suitable for all types of guard
- einsetzbar in Verbindung mit EX-AZM 415

(Minor differences between the printed image and the original product may exist!)

Ordering details

Product type description	AZM 415-ST30-02
Article number	101176754
EAN Code	4030661307237
eCl@ss	27-27-92-16

Global Properties

Permanent light	AZM 415-ST30
Weight	1805

Mechanical data

emergency handle (Y/N)	Yes
Shearing force	30000 N
Actuator mounted	inside
Door hinge	left

notice

The drawings are always shown with a view to the switch.

For actuators mounted on the inside, mounting plate MP TG-01 must be used to fix the door handle to the profile.

Included in delivery

Mounting plate for safety switch
Actuator including mounting plate
with emergency handle

Documents

Operating instructions and Declaration of conformity (es) 480 kB, 24.09.2018

Code: mrl_az-azm-sts30_es

Operating instructions and Declaration of conformity (it) 480 kB, 24.09.2018

Code: mrl_az-azm-sts30_it

Operating instructions and Declaration of conformity (de) 482 kB, 24.09.2018

Code: mrl_az-azm-sts30_de

Operating instructions and Declaration of conformity (fr) 481 kB, 24.09.2018

Code: mrl_az-azm-sts30_fr

Operating instructions and Declaration of conformity (cn) 571 kB, 24.09.2018

Code: mrl_az-azm-sts30_cn

Operating instructions and Declaration of conformity (da) 555 kB, 26.01.2012

Code: mrl_az-azm-sts30_da

Operating instructions and Declaration of conformity (pl) 525 kB, 24.09.2018

Code: mrl_az-azm-sts30_pl

Operating instructions and Declaration of conformity (jp) 576 kB, 24.09.2018

Code: mrl_az-azm-sts30_jp

Operating instructions and Declaration of conformity (pt) 481 kB, 24.09.2018

Code: mrl_az-azm-sts30_pt

Operating instructions and Declaration of conformity (en) 495 kB, 24.09.2018

Code: mrl_az-azm-sts30_en

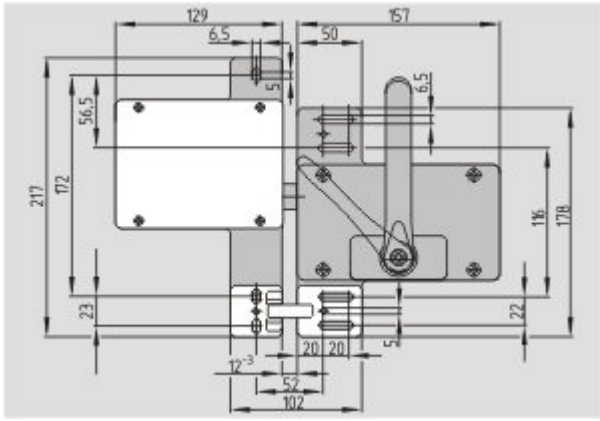
Operating instructions and Declaration of conformity (nl) 480 kB, 24.09.2018

Code: mrl_az-azm-sts30_nl

Images



Product photo



Dimensional drawing (basic component)

K.A. Schmersal GmbH & Co. KG, Mödinghofe 30, D-42279 Wuppertal

The data and values have been checked thoroughly. Technical modifications and errors excepted.

Generiert am 13.02.2019 - 14:48:39h Kasbase 3.3.0.F.64I