

## Datasheet - AZ 3350-B1R

Safety switch with separate actuator / AZ 3350 / Actuator



Preferred typ

- Particularly suitable for hinged guards



(Minor differences between the printed image and the original product may exist!)

### Ordering details

Product type description	AZ 3350-B1R
Article number	101214068
EAN Code	4030661398051
eCl@ss	27-27-92-16

### Global Properties

Permanent light	Beweglicher Betätiger B1R
Weight	380

### Mechanical data

Design of actuators	flexible, rubber mounting
Minimum actuating radius	350 mm

### notice

minimum actuating radius on hinged guards in line with the plane of the actuator 350 mm  
The axis of the hinge should be 28 mm above the top edge of the safety switch and in the same plane

### Documents

**Operating instructions and Declaration of conformity (es)** 170 kB, 11.04.2012

Code: mrl\_az-3350-betaetiger\_es

**Operating instructions and Declaration of conformity (it)** 169 kB, 11.04.2012

Code: mrl\_az-3350-betaetiger\_it

**Operating instructions and Declaration of conformity (cs)** 156 kB, 13.08.2012

Code: mrl\_az-3350-betaetiger\_cs

**Operating instructions and Declaration of conformity (da)** 170 kB, 11.04.2012

Code: mrl\_az-3350-betaetiger\_da

**Operating instructions and Declaration of conformity (jp)** 210 kB, 11.04.2012

Code: mrl\_az-3350-betaetiger\_jp

**Operating instructions and Declaration of conformity (en)** 113 kB, 24.02.2014

Code: mrl\_az-3350-betaetiger\_en

**Operating instructions and Declaration of conformity (pt)** 153 kB, 19.01.2012

Code: mrl\_az-3350-betaetiger\_pt

**Operating instructions and Declaration of conformity (nl)** 169 kB, 11.04.2012

Code: mrl\_az-3350-betaetiger\_nl

**Operating instructions and Declaration of conformity (pl)** 147 kB, 29.01.2015

Code: mrl\_az-3350-betaetiger\_pl

**Operating instructions and Declaration of conformity (sv)** 154 kB, 22.05.2012

Code: mrl\_az-3350-betaetiger\_sv

**Operating instructions and Declaration of conformity (fr)** 170 kB, 11.04.2012

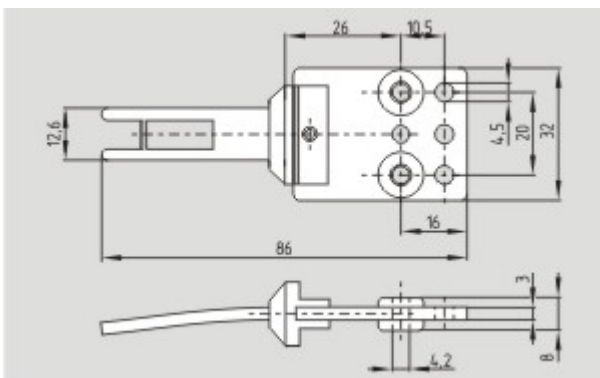
Code: mrl\_az-3350-betaetiger\_fr

**Operating instructions and Declaration of conformity (de)** 115 kB, 24.02.2014

Code: mrl\_az-3350-betaetiger\_de

## Images

---



Dimensional drawing (actuator)

---