

## Datasheet - IFL 2-250-10P

Inductive proximity switch / Housing construction form: Block / IFL 250



Preferred typ



- Design 250
- Thermoplastic enclosure
- DC 3-wire
- Double-insulated

(Minor differences between the printed image and the original product may exist!)

### Ordering details

Product type description	IFL 2-250-10P
Article number	101083011
EAN Code	4030661019345
eCl@ss	27-27-01-01

### Approval

Approval



CCC

### Global Properties

Permanent light	IFL - 250
Standards	IEC/EN 60947-5-2; DIN VDE 0660-208
Compliance with the Directives (Y/N)	Yes
Operating resource protection class	Protection class 2
Materials	
- Material of the housings	Plastic
- Material of the cable mantle	PVC
Housing coating	None
Housing construction form	Block
Weight	90

## Mechanical data

---

Design of electrical connection	Cable
Cable length	2
Conductor with strain relief	No
Conductors	3 x 0,34
mechanical installation conditions	flush
Switch distance $S_n$	2 mm
Reduction factor 1 met (Y/N)	No
Protection circuit	inductive interference protection, Protection against polarity reversal, short-circuit and overload proof
Pressure resistant (Y/N)	No

## Ambient conditions

---

Ambient temperature	
- Min. environmental temperature	-25
- Max. environmental temperature	+70
Protection class	IP67 to IEC/EN 60529

## Electrical data

---

Design of control element	Normally open contact (NO)
Number of wire	3
Voltage type	DC, direct current
Supply voltage $U_B$	
- Min. supply voltage	10
- Max. supply voltage	40
Switch frequency	approx. 1000 HZ
Voltage drop $U_d$	approx. 1.2 V (200 mA)
Operating current $I_e$	200 mA
No-load current $I_0$	approx. 3 mA (24 V)

## Outputs

---

Design of control output	PNP
--------------------------	-----

## LED switching conditions display

---

LED switching conditions display (Y/N)	Yes
- yellow LED	

## ATEX

---

Explosion protection categories for gases	None
Explosion protected category for dusts	None

## Dimensions

---

Dimensions of the sensor	
- Width of sensor	40
- Height of sensor	25
- Length of sensor	12

## notice

---

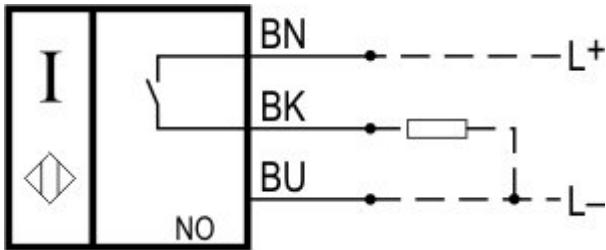
Switches can be mounted adjacent to each other without interference.

with 2 screws M3 x 6 for rear mounting

maximum screwing depth: 6 mm

## Diagram

---



Note Diagram

- positive break NC contact
- active
- no active
- Normally-open contact
- Normally-closed contact

## Ordering code

---

IFL (1)-(2)-(3)(4)(5)-(6)

(1)

2 Switch distance 2 mm

4 Switch distance 4 mm

(2)

250 Block Design, 40 x 25 x 12 mm

(3)

01 Opener (NC)

10 Normally open contact (NO)

10/01 Normally open contact (NO) / Opener (NC) with Wiring compartment

11 Normally open contact (NO) / Opener (NC) antivalent

(4)

without Cable

D DC 2-wire

(5)

N n-type

P p-type

(6)

1716 cable entries from sides

## Documents

---

Operating instructions (nl) 134 kB, 01.08.2018

Code: mrl\_ifl-allgemein\_nl

Operating instructions (en) 128 kB, 31.08.2016

Code: mrl\_ifl-allgemein\_en

**Operating instructions** (pl) 137 kB, 21.10.2016

Code: mrl\_ifl-allgemein\_pl

**Operating instructions** (pt) 109 kB, 06.04.2017

Code: mrl\_ifl-allgemein\_pt

**Operating instructions** (it) 108 kB, 21.10.2016

Code: mrl\_ifl-allgemein\_it

**Operating instructions** (es) 110 kB, 21.10.2016

Code: mrl\_ifl-allgemein\_es

**Operating instructions** (cn) 177 kB, 05.05.2017

Code: mrl\_ifl-allgemein\_cn

**Operating instructions** (de) 131 kB, 31.08.2016

Code: mrl\_ifl-allgemein\_de

**Operating instructions** (fr) 110 kB, 21.10.2016

Code: mrl\_ifl-allgemein\_fr

**Declaration of conformity** (en) 91 kB, 13.04.2017

Code: konfi\_ifl\_en

**Declaration of conformity** (de) 96 kB, 01.07.2016

Code: konfi\_ifl\_de

**CCC certification** (en) 4 MB, 11.07.2018

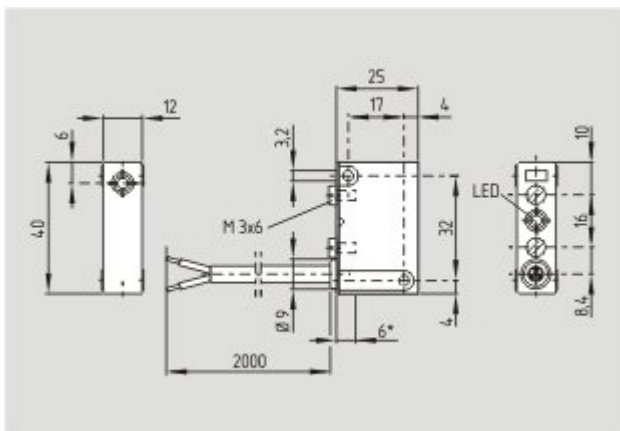
Code: q\_iflp01

**CCC certification** (cn) 4 MB, 11.07.2018

Code: q\_iflp04

## Images

---



Dimensional drawing (basic component)

---