

Datasheet - UNIVERSAL JOINT K2

Safety switch for hinged guards / Hinge safety switch / TV.S 355 / Accessories



Preferred typ

- Factory-mounted pins
- Universal joint to compensate axial displacement



(Minor differences between the printed image and the original product may exist!)

Ordering details

Product type description	KREUZGELENK K2
Article number	101147448
EAN Code	4030661286877
eCl@ss	27-27-92-91

Global Properties

Permanent light	KREUZGELENK
Weight	65

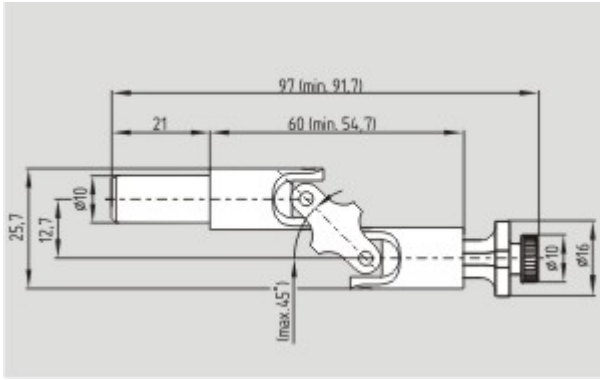
Dimensions

Dimensions	
- Width	91.7 mm ... 97 mm
- Height	16 mm
- Depth	16 mm

notice

Recommended combinations	ES 13 SB ES 95 SB, TV10S 335 TV10S 355,, (10 mm Shaft bore)
--------------------------	---

Images



Dimensional drawing (basic component)

K.A. Schmersal GmbH & Co. KG, Mödinghofe 30, D-42279 Wuppertal

The data and values have been checked thoroughly. Technical modifications and errors excepted.

Generiert am 13.02.2019 - 14:34:23h Kasbase 3.3.0.F.64I