

Datasheet - TX 064-13Y

Position switch / heavy Position switch / 064 / 064 Offset roller lever X



- Metal enclosure
- 184 mm x 111 mm x 149 mm (basic component)
- 2 cable entries M 25 x 1.5
- 3 or 4 Contacts
- Actuator heads can be repositioned by 4 x 90°

(Minor differences between the printed image and the original product may exist!)

Ordering details


| | |
|--------------------------|---------------|
| Product type description | TX 064-13Y |
| Article number | 101057494 |
| EAN Code | 4030661027081 |
| eCl@ss | 27-27-06-01 |

Approval

Approval



Global Properties

| | |
|--|-----------------------|
| Permanent light | 064 Rollenhebel X |
| Standards | EN 60947-5-1 |
| Compliance with the Directives (Y/N)  | Yes |
| Suitable for safety functions (Y/N) | No |
| Standard housing (Y/N) | No |
| Materials | |
| - Material of the housings | cast iron, galvanized |
| - Roller material | Plastic |
| - Material of the contacts | Silver |
| Housing coating | painted |
| Weight | 3560 |
| Slide form | Castor |


Mechanical data

| | |
|--|---|
| Design of electrical connection | Screw connection |
| Cable section | |
| - Min. Cable section | 1.5 |
| - Max. Cable section | 4 |
| AWG-Number | 11 |
| Active principle | mechanical |
| Mechanical life | 1.000.000 operations |
| Switching frequency | max. 1000 /h |
| notice | All indications about the cable section are including the conductor ferrules. |
| Design of actuating element | Offset roller lever |
| Contact opening | 2 x 4 |
| Actuating speed with vertical actuating angle to switch axis | |
| - Min. Actuating speed | 0,01 m/s |
| - Max. Actuating speed | 1 |
| - Actuating angle from left of switch axis | 30 |
| - Actuating angle from right of switch axis | 45 |

Ambient conditions

| | |
|----------------------------------|----------------------|
| Ambient temperature | |
| - Min. environmental temperature | -30 |
| - Max. environmental temperature | +90 |
| Protection class | IP65 to IEC/EN 60529 |

Electrical data

| | |
|---|--|
| Design of control element | Normally open contact (NO) Opener (NC) |
| - with double break | |
| Switching principle | Creep circuit element |
| - positive break NC contact  | |
| Number of shutters | 1 |
| Number of openers | 3 |
| Rated impulse withstand voltage U_{imp} | 6 kV |
| Rated insulation voltage U_i | 500 V |
| Thermal test current I_{the} | 25 A |
| Utilisation category | AC-15: 400 V / 25 A |
| Max. fuse rating | 16 A gL/gG D-fuse |

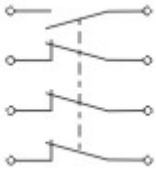
Dimensions

| | |
|--------------------------|-----|
| Dimensions of the sensor | |
| - Width of sensor | |
| - Height of sensor | 107 |
| - Length of sensor | 149 |
| Roller wide | 6.5 |
| Roller diameter | 25 |




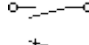
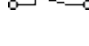
notice

| | |
|--------|---|
| notice | Actuation from the right should be avoided, since this reduces the mechanical life of the position switch. |
|--------|---|

Diagram



Note Diagram

-  positive break NC contact
-  active
-  no active
-  Normally-open contact
-  Normally-closed contact

Ordering suffix

The applicable ordering suffix is added at the end of the part number of the safety switch.

Order example: TX 064-13Y- **H**

| | |
|-----------------|---------------------------------------|
| ...- H | Slow action with staggered contacts |
| ...- UE | Slow action with overlapping contacts |
| ...- RMS | Available with metal roller |

Ordering code

T(1) 064-(2)Y-(3)

(1)

| | |
|----|------------------------|
| L | Roller lever L |
| A | Roller lever A |
| 2A | Roller lever 2A |
| V | Roller lever V |
| Z | Pull lever Z |
| 2Z | Pull lever 2Z |
| C | Fork lever C |
| 4D | Offset roller lever 4D |

(2)

| | |
|-------|--|
| 03 | 3 Opener (NC) |
| 12 | 1 Normally open contact (NO) / 2 Opener (NC) |
| 21 | 2 Normally open contact (NO) / 1 Opener (NC) |
| 30 | 3 Normally open contact (NO) |
| 01/02 | 1 Opener (NC) left / 2 Opener (NC) right |
| 02/01 | 2 Opener (NC) left / 1 Opener (NC) right |
| 10/20 | 1 Normally open contact (NO) left / 2 Normally open contact (NO) right |
| 20/10 | 2 Normally open contact (NO) left / 1 Normally open contact (NO) right |

(3)

| | |
|----|---------------------------------------|
| UE | Slow action with overlapping contacts |
| H | Slow action with staggered contacts |
| R | latching 2x45° |

Documents

Operating instructions and Declaration of conformity (nl) 95 kB, 20.07.2018

Code: mrlk_posi-allgemein_nl

Operating instructions and Declaration of conformity (ru) 133 kB, 09.07.2018

Code: mrlk_posi-allgemein_ru

Operating instructions and Declaration of conformity (es) 88 kB, 09.07.2018

Code: mrlk_posi-allgemein_es

Operating instructions and Declaration of conformity (en) 86 kB, 09.07.2018

Code: mrlk_posi-allgemein_en

Operating instructions and Declaration of conformity (cn) 138 kB, 09.07.2018

Code: mrlk_posi-allgemein_cn

Operating instructions and Declaration of conformity (it) 86 kB, 09.07.2018

Code: mrlk_posi-allgemein_it

Operating instructions and Declaration of conformity (jp) 285 kB, 09.07.2018

Code: mrlk_posi-allgemein_jp

Operating instructions and Declaration of conformity (pl) 118 kB, 09.07.2018

Code: mrlk_posi-allgemein_pl

Operating instructions and Declaration of conformity (fr) 85 kB, 09.07.2018

Code: mrlk_posi-allgemein_fr

Operating instructions and Declaration of conformity (pt) 86 kB, 09.07.2018

Code: mrlk_posi-allgemein_pt

Operating instructions and Declaration of conformity (de) 88 kB, 09.07.2018

Code: mrlk_posi-allgemein_de

Declaration of conformity (en) 86 kB, 19.12.2018

Code: konfi_mrl_tm064_en

Declaration of conformity (de) 88 kB, 04.04.2017

Code: konfi_mrl_tm064_de

CCC certification (en) 1 MB, 24.07.2017

Code: q_355p02

CCC certification (cn) 1 MB, 24.07.2017

Code: q_355p03

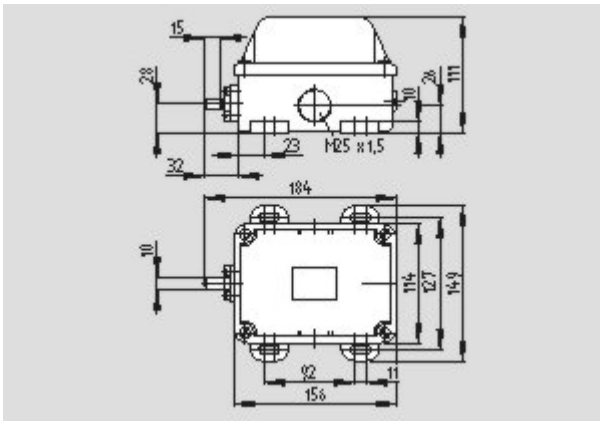
EAC certification (ru) 388 kB, 20.01.2016

Code: q_1527p17_ru

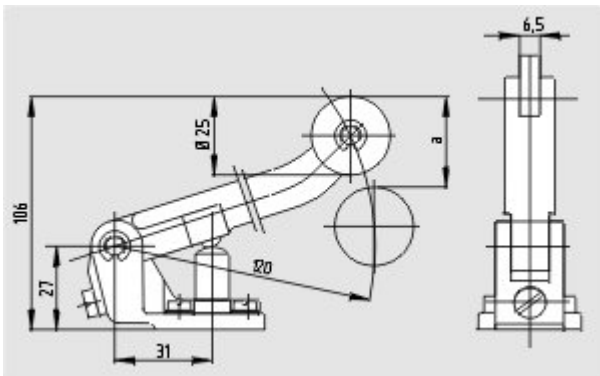
Images



Product photo



Dimensional drawing (basic component)



Dimensional drawing (miscellaneous)



Operating principle

K.A. Schmersal GmbH & Co. KG, Möddinghofe 30, D-42279 Wuppertal
The data and values have been checked thoroughly. Technical modifications and errors excepted.
Generiert am 13.02.2019 - 13:30:18h Kasbase 3.3.0.F.64I