

Datasheet - UNIVERSAL JOINT K2

Safety switch for hinged guards / Hinge safety switch / Accessories



Preferred typ

- Factory-mounted pins
- Universal joint to compensate axial displacement



(Minor differences between the printed image and the original product may exist!)

Ordering details

| | |
|--------------------------|----------------|
| Product type description | KREUZGELENK K2 |
| Article number | 101147448 |
| EAN Code | 4030661286877 |
| eCl@ss | 27-27-92-91 |

Global Properties

| | |
|-----------------|-------------|
| Permanent light | KREUZGELENK |
| Weight | 65 |

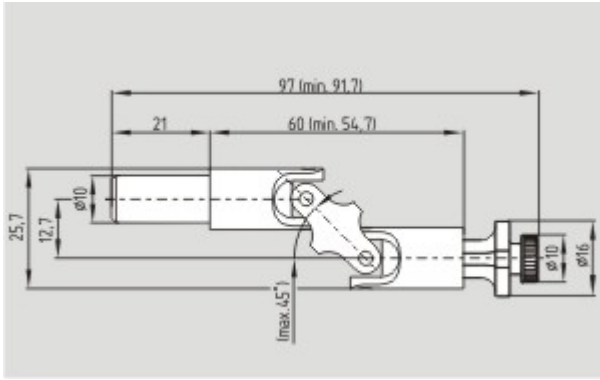
Dimensions

| | |
|------------|-------------------|
| Dimensions | |
| - Width | 91.7 mm ... 97 mm |
| - Height | 16 mm |
| - Depth | 16 mm |

notice

| | |
|--------------------------|---|
| Recommended combinations | ES 13 SB ES 95 SB, TV10S 335 TV10S 355,, (10 mm Shaft bore) |
|--------------------------|---|

Images



Dimensional drawing (basic component)

K.A. Schmersal GmbH & Co. KG, Mödinghofe 30, D-42279 Wuppertal

The data and values have been checked thoroughly. Technical modifications and errors excepted.

Generiert am 13.02.2019 - 14:32:07h Kasbase 3.3.0.F.64I