

Datasheet - EX-BN 20-20Z-3G/D

Magnetic reed switch / EX-BN 20



(Minor differences between the printed image and the original product may exist!)

- 2 reed contacts
 - Aluminium enclosure
 - Long life
 - 104 mm x 52 mm x 47 mm
 - Non-contact principle
 - 1 Reed kontakts
 - Actuating distance up to 50 mm depending on actuating magnet and version
 - Screw connection
 - Ex certified
- 2 reed contacts

Ordering details

Product type description	EX-BN 20-20Z-3G/D
Article number	101194601
EAN Code	4030661359007
eCl@ss	27-27-01-04

Approval

Approval



Global Properties

Permanent light	EX-BN 20
Standards	EN 60079-0, EN 60079-15, EN 60079-31
Compliance with the Directives (Y/N)	Yes
Active principle	Magnetic drive
Materials	
- Material of the housings	light alloy die-casting, painted
- Material of the active surface	Metal film
Housing construction form	rectangular
Weight	326
Recommended actuator	2 x BP 10, 2 x BP 15/2, BP 20, BP 31, BP 11, BP 12, BP 21, BE 20

Mechanical data

Design of electrical connection	Screw connection
Cable cross-section of the cable glands	
- Min. Cable cross-section of the cable glands	Ø 6
- Max. Cable cross-section of the cable glands	Ø 10
Mechanical life	1.000.000.000 operations
Electrical lifetime	1.000.000 ... 1.000.000.000 operations

Actuating planes	Actuation from side
Active area	lateral
Switch distance S_n	12 mm ... 45 mm
notice	Actuating distance up to 45 mm depending on actuating magnet and version
Type of actuation	Magnet
resistance to shock	30 g / 11 ms
Resistance to vibration	10 ... 55 HZ, Amplitude 1 mm
resistant to vibration	50 g, on sine wave oscillation
Bounce duration	0,3 ... 0,6
Latching (Y/N)	No
Impact energy	max. 4 J
bias magnet (Y/N)	Yes
Actuating speed	max. 18 m/s
Switching point accuracy	$\pm 0,25$ mm

Ambient conditions

Ambient temperature	
- Min. environmental temperature	-15
- Max. environmental temperature	+70
Storage and transport temperature	
- Min. Storage and transport temperature	-25
- Max. Storage and transport temperature	+70
Protection class	IP67

Electrical data

Design of control element	Normally open contact (NO)
Number of shutters	2
Number of openers	0
Switching time - Close	0,3 ... 1.5
Switching time - Open	-
Voltage type	AC, alternating current
Switch frequency	
Dielectric strength	> 600 VAC (50 HZ)
Switching voltage	max. 250 VAC/DC
Switching current	max. 3 A
Switching capacity	max. 120 VA / W
Interference resistance to magnetic fields	

Outputs

Design of control output	Reed kontakts
--------------------------	---------------

LED switching conditions display

LED switching conditions display (Y/N)	No
--	----

ATEX

EX-marking	EX II 3G Ex nC IIC T5 Gc X EX II 3D Ex tc IIIC T90°C Dc X
Explosion protection categories for gases	ATEX gas ex-protection, Cat. 3

Explosion protection Zones for gases	2
Explosion protected category for dusts	ATEX dust ex-protection, Cat. 3
Explosion protection Zones for dusts	22

Dimensions

Dimensions of the sensor

- Width of sensor	104
- Height of sensor	52
- Length of sensor	47

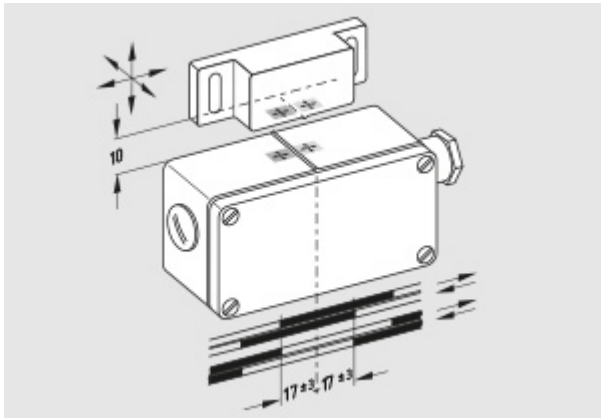
notice

The opening and closing functions depend on the direction of actuation, the actuating magnets and the polarity of the actuating magnets. When the switches and actuators come together, the colours must coincide: Red (S) to red (S) and green (N) to green (N).

Included in delivery

Actuators must be ordered separately.
Ex-certified screwed cable gland

Diagram



Note Diagram

- positive break NC contact
- active
- no active
- Normally-open contact
- Normally-closed contact

Ordering code

EX-BN 20-(1)Z-3G/D

(1)	
01	1 Opener (NC)
02	2 Opener (NC)
10	1 Normally open contact (NO)
20	2 Normally open contact (NO)
11	1 Opener (NC) / 1 Normally open contact (NO)
R	1 bistable contact
2R	2 bistable contact

Documents

Operating instructions and Declaration of conformity (es) 261 kB, 17.01.2018

Code: mrl_ex-bn20_es

Operating instructions and Declaration of conformity (de) 236 kB, 17.11.2017

Code: mrl_ex-bn20_de

Operating instructions and Declaration of conformity (nl) 258 kB, 17.01.2018

Code: mrl_ex-bn20_nl

Operating instructions and Declaration of conformity (pt) 269 kB, 17.01.2018

Code: mrl_ex-bn20_pt

Operating instructions and Declaration of conformity (pl) 283 kB, 17.01.2018

Code: mrl_ex-bn20_pl

Operating instructions and Declaration of conformity (en) 261 kB, 17.11.2017

Code: mrl_ex-bn20_en

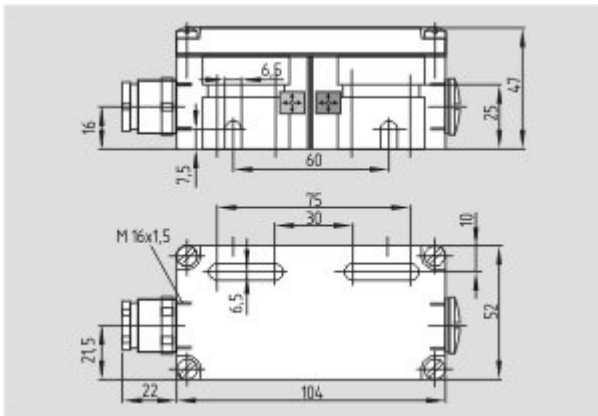
Operating instructions and Declaration of conformity (it) 263 kB, 17.01.2018

Code: mrl_ex-bn20_it

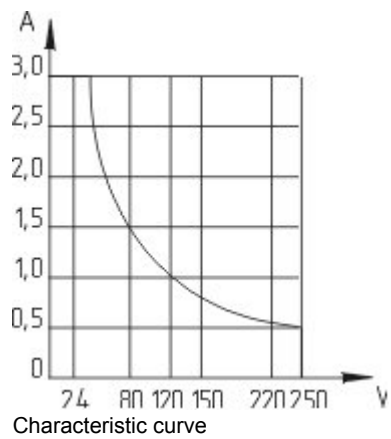
Operating instructions and Declaration of conformity (fr) 266 kB, 17.01.2018

Code: mrl_ex-bn20_fr

Images



Dimensional drawing (basic component)



K.A. Schmersal GmbH & Co. KG, Möddinghofe 30, D-42279 Wuppertal

The data and values have been checked thoroughly. Technical modifications and errors excepted.

Generiert am 13.02.2019 - 13:13:14h Kasbase 3.3.0.F.64I