

## Datasheet - UV3H 433Y-2S/1OE



Position switch / medium heavy Position switch / Universal range U - Metal enclosure / U 433 / U 433 Roller lever 3H



(Minor differences between the printed image and the original product may exist!)

- Metal enclosure
- 3 Contacts
- 62 mm x 105 mm x 50 mm ( basic component)
- Switching points and contact function adjustable
- 3 cable entries M 20 x 1.5
- Actuator head can be repositioned in steps 4 x 90°
- Continuous adjustment of lever position 360°
- Lever can be transposed by 180°

### Ordering details


|                          |                  |
|--------------------------|------------------|
| Product type description | UV3H 433Y-2S/1OE |
| Article number           | UV3H 433Y-2S/1OE |
| EAN Code                 |                  |
| eCl@ss                   | 27-27-06-01      |

### Approval

Approval



### Global Properties

|  |                             |
|--|-----------------------------|
| Permanent light  | U 433 Rollenschwenkhebel 3H |
| Standards  | EN 60947-5-1                |
| Compliance with the Directives (Y/N)  | Yes                         |
| Suitable for safety functions (Y/N)  | No                          |
| Standard housing (Y/N)   | No                          |
| Materials  |                             |
| - Material of the housings   | light alloy die-casting     |
| - Roller material  | Plastic                     |
| - Material of the contacts   | Silver                      |
| Housing coating  | painted                     |

|            |        |
|------------|--------|
| Weight     | 505    |
| Slide form | Castor |

## Mechanical data

---

|  |   |
|--|---|
| Design of electrical connection                              | Screw connection  |
| Cable section  |   |
| - Min. Cable section   | 1.5   |
| - Max. Cable section   | 2.5   |
| AWG-Number   | 13  |
| Active principle   | mechanical  |
| Mechanical life  | 10.000.000 operations   |
| Contact life   | 2.000.000 operations, at 6 A / 400 V, $\cos \varphi = 0,4$                    |
| notice   | All indications about the cable section are including the conductor ferrules. |
| Design of actuating element                                  | Roller lever  |
| Contact opening  | 2 x 1.5   |
| Actuating speed with vertical actuating angle to switch axis |   |
| - Min. Actuating speed                                       | 1   |
| - Max. Actuating speed                                       | 3   |
| - Actuating angle from left of switch axis                   | 30  |
| - Actuating angle from right of switch axis                  | 30  |

## Ambient conditions

---

|                                  |                      |
|----------------------------------|----------------------|
| Ambient temperature              |                      |
| - Min. environmental temperature | -20                  |
| - Max. environmental temperature | +60                  |
| Protection class                 | IP65 to IEC/EN 60529 |

## Electrical data

---

|                                |   |
|--------------------------------|---|
| Design of control element      | Normally open contact (NO), Opener (NC) |
| Switching principle            | Creep circuit element                   |
| Number of shutters             | 2                                       |
| Number of openers              | 1                                       |
| Rated insulation voltage $U_i$ | 500 V                                   |
| Thermal test current $I_{the}$ | 16 A                                    |
| Max. fuse rating               | 16 A gG D-fuse                          |

## Dimensions

---

|                          |     |
|--------------------------|-----|
| Dimensions of the sensor |     |
| - Width of sensor        | 62  |
| - Height of sensor       | 201 |
| - Length of sensor       | 50  |
| Roller wide              | 8   |
| Roller diameter          | 36  |

## notice

---

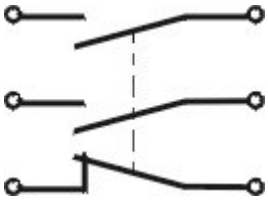
Type of contact and switching points can be factory set to order.

## Indication legend

see drawing: Operating principle

Contact function, i. e. NC or NO contact, and switching points can be adjusted using a screwdriver

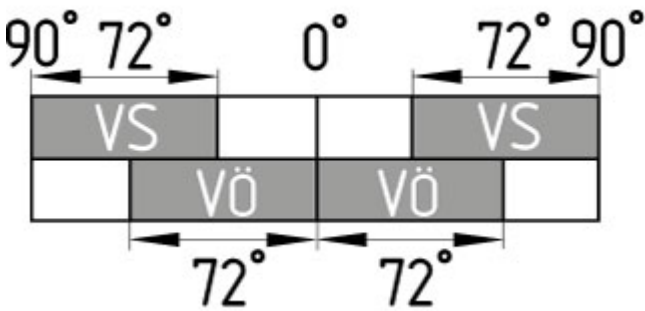
## Diagram



Note Diagram

- positive break NC contact
- active
- no active
- Normally-open contact
- Normally-closed contact

## Switch travel diagram



Notes Switch travel diagram

- Contact closed
- Contact open
- Setting range
- Break point
- Positive opening sequence/- angle
- VS** adjustable range of NO contact
- VÖ** adjustable range of NC contact
- N** after travel

## Ordering suffix

The applicable ordering suffix is added at the end of the part number of the safety switch.

Order example: UV3H 433Y-2S/1OE- 1272

...- 1272

Version for low temperatures to -30°C

...-RMS

Available with metal roller

...- 1164

Splined shaft and lever available with 10° tooting

## Ordering code

---

U(1) 433Y-(2)-(3)

(1)

|     |                              |
|-----|------------------------------|
| S   | Plunger S                    |
| K   | Offset roller lever K        |
| 8H  | Roller lever 8H              |
| H   | Roller lever H               |
| 3H  | Roller lever 3H              |
| 7H  | Roller lever 7H              |
| 4H  | Spring rod lever on shaft 4H |
| 9H  | Rod lever 9H                 |
| 10H | Rod lever 10H                |
| 2H  | Leaf-spring lever 2H         |
| 6H  | Leaf-spring lever 6H         |

(2)

|                |  |
|----------------|--|
| <i>without</i> | 3 Opener (NC)                                |
| 1S/2OE         | 1 Normally open contact (NO) / 2 Opener (NC) |
| 2S/1OE         | 2 Normally open contact (NO) / 1 Opener (NC) |

(3)

|      |                                       |
|------|---------------------------------------|
| 1272 | Version for low temperatures to -30°C |
|------|---------------------------------------|

## Documents

---

**Operating instructions and Declaration of conformity** (nl) 95 kB, 20.07.2018

Code: mrlk\_posi-allgemein\_nl

**Operating instructions and Declaration of conformity** (ru) 133 kB, 09.07.2018

Code: mrlk\_posi-allgemein\_ru

**Operating instructions and Declaration of conformity** (es) 88 kB, 09.07.2018

Code: mrlk\_posi-allgemein\_es

**Operating instructions and Declaration of conformity** (en) 86 kB, 09.07.2018

Code: mrlk\_posi-allgemein\_en

**Operating instructions and Declaration of conformity** (cn) 138 kB, 09.07.2018

Code: mrlk\_posi-allgemein\_cn

**Operating instructions and Declaration of conformity** (it) 86 kB, 09.07.2018

Code: mrlk\_posi-allgemein\_it

**Operating instructions and Declaration of conformity** (jp) 285 kB, 09.07.2018

Code: mrlk\_posi-allgemein\_jp

**Operating instructions and Declaration of conformity** (pl) 118 kB, 09.07.2018

Code: mrlk\_posi-allgemein\_pl

**Operating instructions and Declaration of conformity** (fr) 85 kB, 09.07.2018

Code: mrlk\_posi-allgemein\_fr

**Operating instructions and Declaration of conformity** (pt) 86 kB, 09.07.2018

Code: mrlk\_posi-allgemein\_pt

**Operating instructions and Declaration of conformity** (de) 88 kB, 09.07.2018

Code: mrlk\_posi-allgemein\_de

**Operating instructions** (pl) 369 kB, 30.11.2018

Code: mrlk\_u431-u434\_pl

**Operating instructions** (en) 352 kB, 06.08.2018

Code: mrlk\_u431-u434\_en

**Operating instructions** (es) 350 kB, 08.08.2018

Code: mrlk\_u431-u434\_es

**Operating instructions** (nl) 365 kB, 12.11.2018

Code: mrlk\_u431-u434\_nl

**Mounting and wiring instructions** (de, en, fr) 209 kB, 17.03.2008

Code: m\_43sp01

**Operating instructions** (de) 348 kB, 06.08.2018

Code: mrlk\_u431-u434\_de

**Operating instructions** (pt) 350 kB, 23.08.2018

Code: mrlk\_u431-u434\_pt

**Declaration of conformity** (en) 158 kB, 07.11.2017

Code: konfi\_mrl\_u43\_en

**Declaration of conformity** (de) 128 kB, 07.11.2017

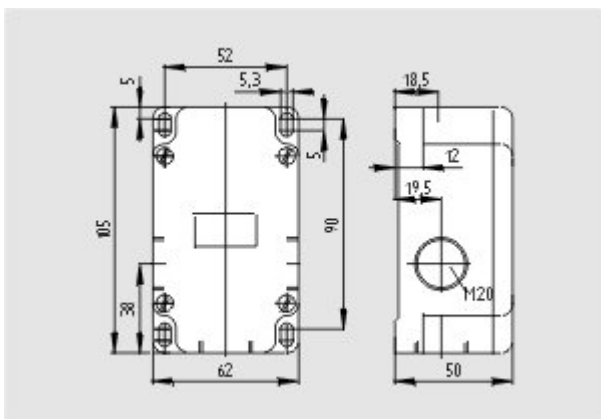
Code: konfi\_mrl\_u43\_de

**EAC certification** (ru) 388 kB, 20.01.2016

Code: q\_1527p17\_ru

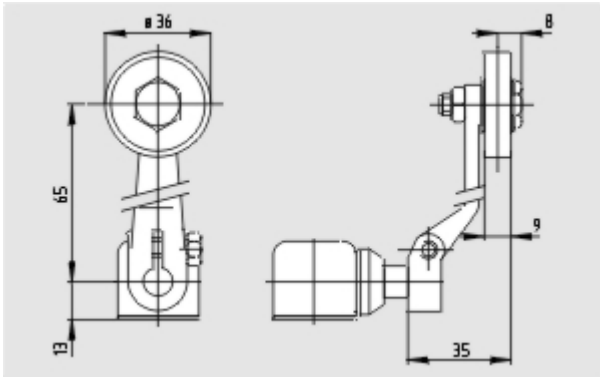
## Images

---

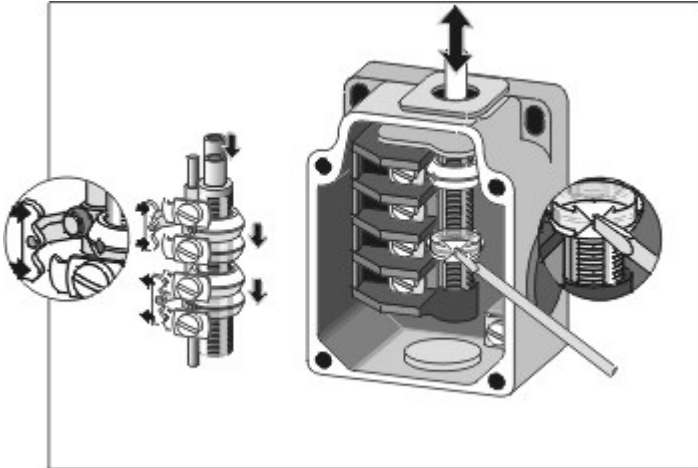


Dimensional drawing (basic component)

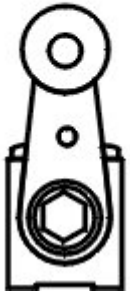
---



Dimensional drawing (miscellaneous)



Operating principle



Operating principle

K.A. Schmersal GmbH & Co. KG, Mödinghofe 30, D-42279 Wuppertal

The data and values have been checked thoroughly. Technical modifications and errors excepted.

Generiert am 13.02.2019 - 13:43:19h Kasbase 3.3.0.F.64I