

Datasheet - SZ 200

Solenoid interlock / AZM 200 / Accessories / Lockout tag SZ 200



Preferred typ



- Suitable for mounting inside and outside of the hazardous area
- To prevent inadvertent closing, e.g. during maintenance
- For complex plant
- Prevents actuation of the switch
- Lockout tag with 5 circular holes

(Minor differences between the printed image and the original product may exist!)

Ordering details

Product type description	SZ 200
Article number	101194438
EAN Code	4030661359014
eCl@ss	27-27-92-91

Global Properties

Permanent light	Sperrzange SZ 200
Weight	834

Documents

Operating instructions and Declaration of conformity (cn) 851 kB, 22.11.2018

Code: mrl_sz200_cn

Operating instructions and Declaration of conformity (pl) 816 kB, 13.12.2017

Code: mrl_sz200_pl

Operating instructions and Declaration of conformity (en) 765 kB, 24.09.2015

Code: mrl_sz200_en

Operating instructions and Declaration of conformity (jp) 892 kB, 23.08.2017

Code: mrl_sz200_jp

Operating instructions and Declaration of conformity (cs) 821 kB, 13.12.2017

Code: mrl_sz200_cs

Operating instructions and Declaration of conformity (nl) 774 kB, 17.11.2016

Code: mrl_sz200_nl

Operating instructions and Declaration of conformity (de) 774 kB, 15.09.2015

Code: mrl_sz200_de

Operating instructions and Declaration of conformity (fr) 773 kB, 27.01.2016

Code: mrl_sz200_fr

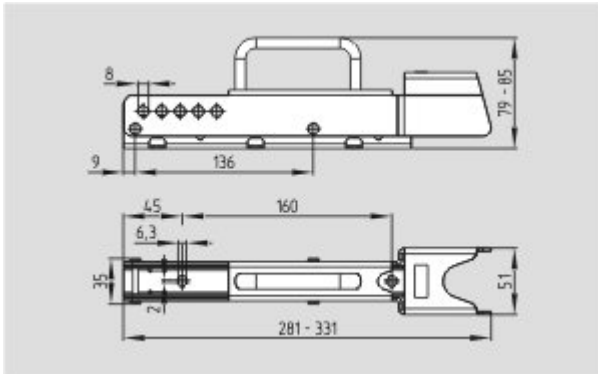
Operating instructions and Declaration of conformity (it) 770 kB, 28.09.2015

Code: mrl_sz200_it

Operating instructions and Declaration of conformity (pt) 771 kB, 13.04.2017

Code: mrl_sz200_pt

Images



Dimensional drawing (miscellaneous)

K.A. Schmersal GmbH & Co. KG, Mödinghofe 30, D-42279 Wuppertal

The data and values have been checked thoroughly. Technical modifications and errors excepted.

Generiert am 13.02.2019 - 14:46:13h Kasbase 3.3.0.F.64I